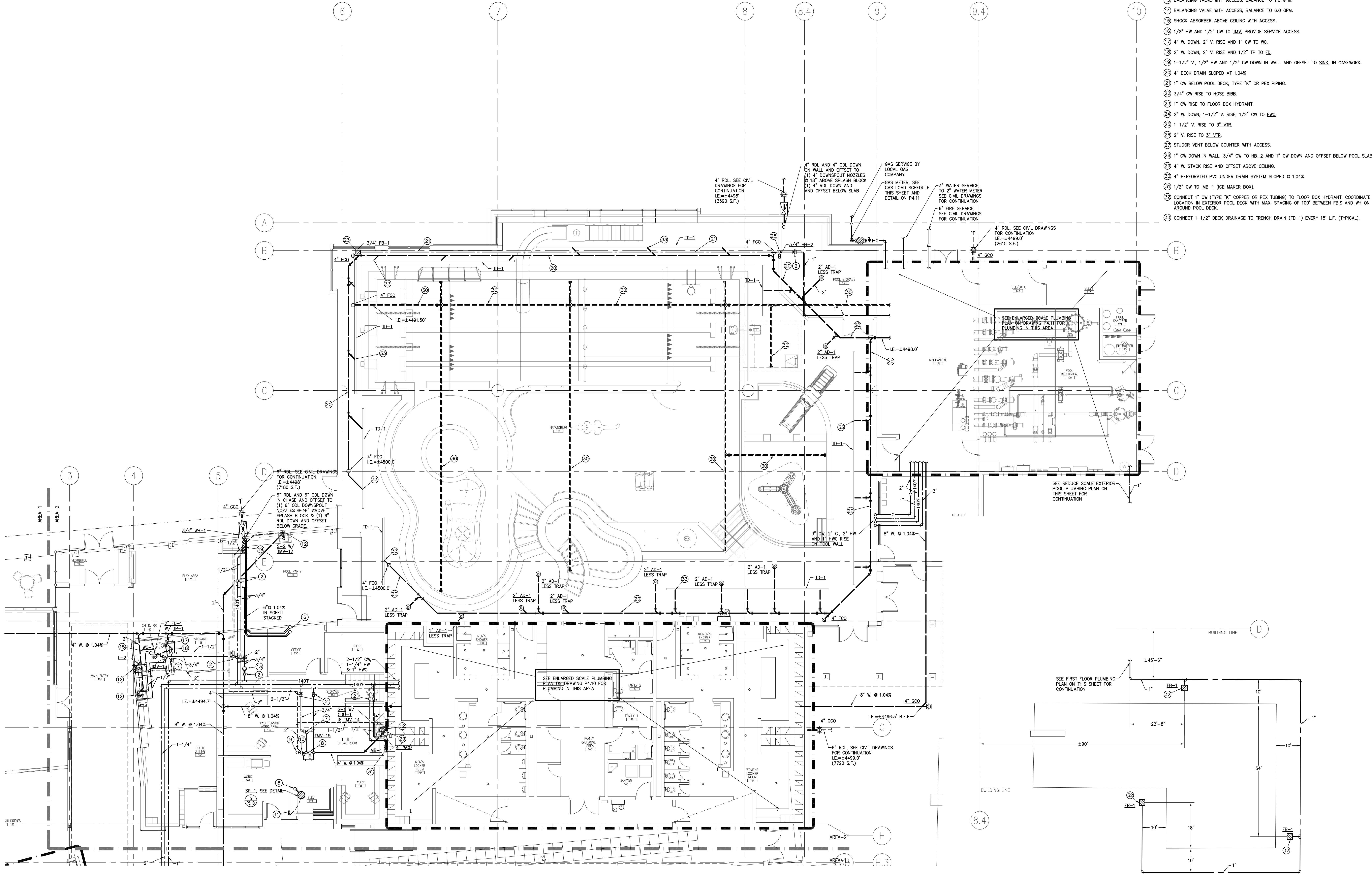


GAS LOAD SCHEDULE

APPLIANCE	LOAD
ROOFTOP UNIT (RTU-1)	600.0 MBH
ROOFTOP UNIT (RTU-2)	750.0 MBH
ROOFTOP UNIT (RTU-3)	350.0 MBH
ROOFTOP UNIT (RTU-4)	350.0 MBH
POOL DEHUMIDIFICATION UNIT (PDU-1)	900.0 MBH
GAS WATER HEATER (GWH-1)	500.0 MBH
GAS WATER HEATER (GWH-2)	500.0 MBH
INDOOR POOL HEATER	1261.0 MBH
WHIRLPOOL HEATER	199.9 MBH
OUTDOOR POOL HEATER	1261.0 MBH
GAS FIREPLACE	40.0 MBH
TOTAL	6711.9 MBH INPUT AT S.L. (2.0 PSI GAS REQUIRED)

PLUMBING KEYNOTES:

- 1 3/4" CW DOWN IN WALL TO 3/4" WB=1.
- 2 BALL VALVE (FULL SIZE) WITH SERVICE ACCESS.
- 3 4" W. DOWN, 2" V. RISE IN WALL, 1/2" TP TO ED.
- 4 ID=1 ABOVE CEILING AND ROUTED TO ED.
- 5 2" ELEVATOR SUMP PUMP DISCHARGE RISE.
- 6 6" RDL AND 6" ODL DOWN FROM ABOVE AND OFFSET ABOVE CEILING.
- 7 3/4" HW AND 3/4" CW TO DMV PROVIDE SERVICE ACCESS.
- 8 4" W., 2" V., 1/2" HW AND 1/2" CW RISE.
- 9 2" V. RISE.
- 10 2" W. AND 1/2" CW RISE.
- 11 ELEVATOR SUMP PUMP CONTROL PANEL.
- 12 2" W. DOWN, 1-1/2" V. RISE, 1/2" HW AND 1/2" CW TO SINK/LAV.
- 13 BALANCING VALVE WITH ACCESS, BALANCE TO 1.0 GPM.
- 14 BALANCING VALVE WITH ACCESS, BALANCE TO 6.0 GPM.
- 15 SHOCK ABSORBER ABOVE CEILING WITH ACCESS.
- 16 1/2" HW AND 1/2" CW TO DMV PROVIDE SERVICE ACCESS.
- 17 4" W. DOWN, 2" V. RISE AND 1" CW TO WC.
- 18 2" W. DOWN, 2" V. RISE AND 1/2" TP TO ED.
- 19 1-1/2" V., 1/2" HW AND 1/2" CW DOWN IN WALL AND OFFSET TO SINK, IN CASEWORK.
- 20 4" DECK DRAIN SLOPED AT 1.04%.
- 21 1" CW BELOW POOL DECK, TYPE "C" OR PEX PIPING.
- 22 3/4" CW RISE TO HOSE BIBB.
- 23 1" CW RISE TO FLOOR BOX HYDRANT.
- 24 2" W. DOWN, 1-1/2" V. RISE, 1/2" CW TO EMC.
- 25 1-1/2" V. RISE TO 1" VTB.
- 26 2" V. RISE TO 1" VTB.
- 27 STUODOR VENT BELOW COUNTER WITH ACCESS.
- 28 1" CW DOWN IN WALL, 3/4" CW TO WB=2 AND 1" CW DOWN AND OFFSET BELOW POOL SLAB.
- 29 4" W. STACK RISE AND OFFSET ABOVE CEILING.
- 30 4" PERFORATED PVC UNDER DRAIN SYSTEM SLOPED @ 1.04%.
- 31 1/2" CW TO IMB-1 (ICE MAKER BOX).
- 32 CONNECT 1" CW (TYPE "C" COPPER OR PEX TUBING) TO FLOOR BOX HYDRANT, COORDINATE EXACT LOCATION IN EXTERIOR POOL DECK WITH MAX. SPACING OF 100' BETWEEN EB'S AND M1 ON WALL AROUND POOL DECK.
- 33 CONNECT 1-1/2" DECK DRAINAGE TO TRENCH DRAIN (TD=1) EVERY 15' L.F. (TYPICAL).



PARTIAL FIRST FLOOR PLUMBING PLAN - AREA 2

SCALE: 1/8"=1'-0" FINISHED FLOOR=100'-0" = 4502'

EXTERIOR POOL PLUMBING PLAN

SCALE: 1/16"=1'-0"

All information appearing herein shall not be duplicated, discharged or otherwise used without the written consent of Sink Combs Dethlefs.

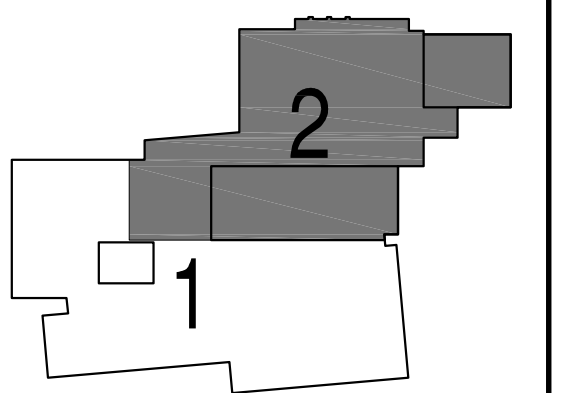


SINK COMBS DETHLEFS

A Professional Corporation 475 Lincoln Street, Suite 300, Denver, Colorado 80203
303.388.0200
303.388.0202
FAX 303.822.0202

The Ballard Group, Inc.
Mechanical Consulting Engineers
(303) 988-4514

KEY PLAN



Issues/Revisions:	Date:
SCHEMATIC DESIGN	04-13-04
DESIGN DEVELOPMENT	07-10-04
10% CD COORDINATION	04-07-04
CONSTRUCTION DOCUMENTS	04-22-04

FRUITA COMMUNITY CENTER & MESA COUNTY LIBRARIES/ FRUITA BRANCH

FRUITA COLORADO

SCD Project No.: 0401

PARTIAL FIRST FLOOR PLUMBING PLAN - AREA 2

Drawn by: TRH
Checked by: TRH

P2.11

PLOT DATE: 04/22/04
 PLOT TIME: 10:00 AM
 PLOT BY: J. W. HARRIS
 PLOT NO.: 04-01-04
 LAYOUT NAME: P2.11



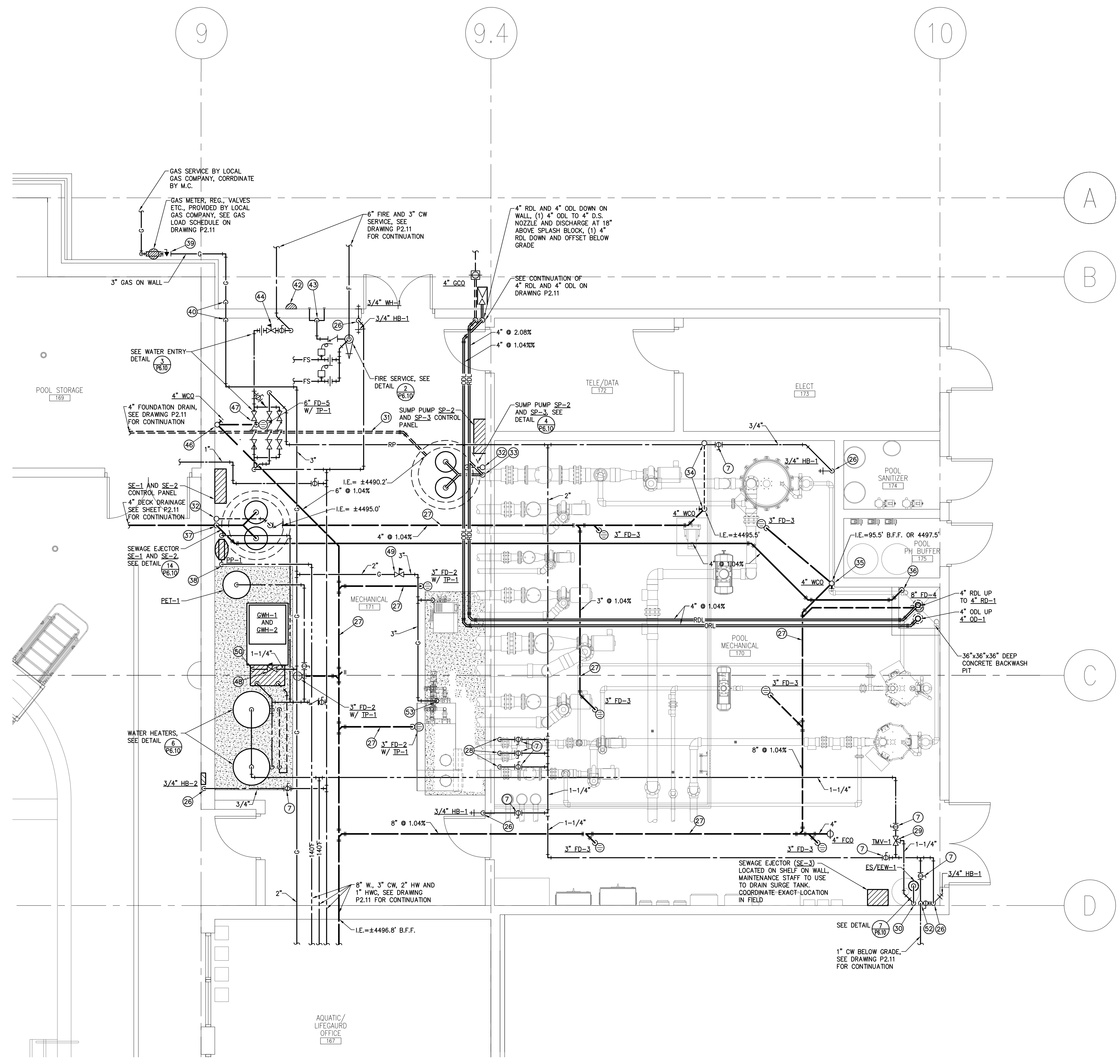
SINK COMBS DETHLEFS

A Professional Corporation 475 Lincoln Street, Suite 100, 303 388 0200
For Architecture Denver, Colorado 80203 Fax 303 9222

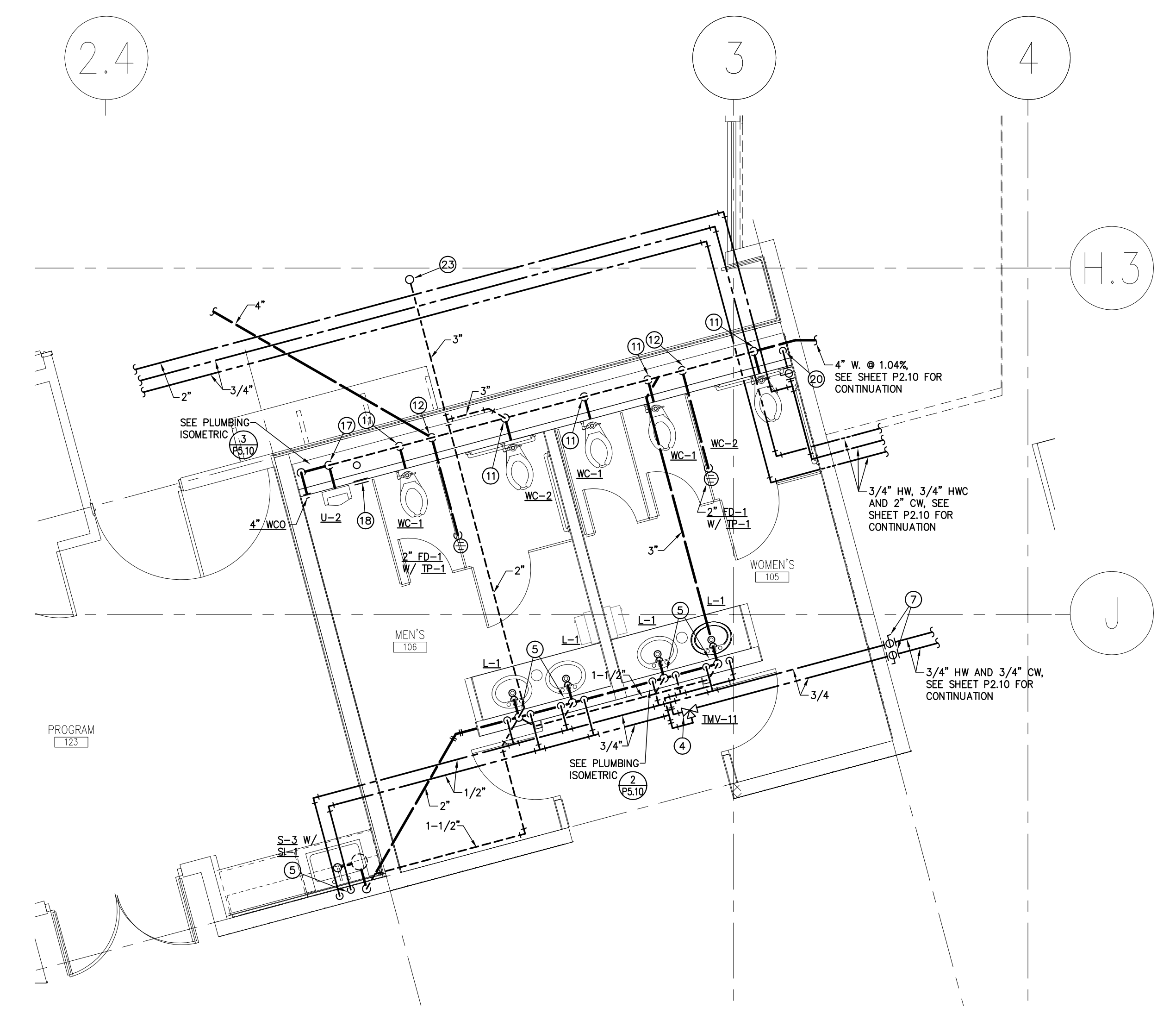


- 40 3" G. ENTER BUILDING MIN. 24" ABOVE FINISHED GRADE AND RISE ON WALL AND OFFSET AT STRUCTURE.
- 41 CAP 2" LAWN IRRIGATION ± BELOW GRADE, CONTINUA BY IRRIGATION CONTRACTOR.
- 42 AUDIBLE/VISUAL ALARM MOUNTED AT 10' ABOVE GRADE.
- 43 4" FIRE LINE TO EDC.
- 44 3" CW SERVICE WITH PRV SET AT 80 PSI MAX.
- 45 2" W. DOWN, 1-1/2" V. RISE FOR SUITMATE.
- 46 6" W. DOWN, 3" V. RISE TO 3" VIB, 1/2" CW FROM TP-1 TO ED.
- 47 (3) 2" RP BACKFLOW PREVENTER STACKED IN PAIRS, (2) FOR DOMESTIC WATER SERVICE.
- 48 PRESSURE REDUCING VALVE (2.0 PSI TO 10" WC) 1,000 MBH GAS INPUT, ROUTE RELIEF VENT FULL SIZE THRU ROOF TO GOOSENECK.
- 49 PRESSURE REDUCING VALVE (2.0 PSI TO 10" WC) 2,721.9 MBH GAS INPUT, ROUTE RELIEF VENT FULL SIZE THRU ROOF TO GOOSENECK.
- 50 2" G. DOWN, 1-1/4" G. TO CONNECT TO EACH GWH WITH GAS COOK AND 6" DIRT LEG.
- 51 3" W. DOWN, 2" V. RISE, 1/2" TP TO ED.
- 52 1" CW DOWN ON WALL WITH 3/4" BALL VALVE HOSE END FOR WINTERIZING, 1" CW OFFSET BELOW GRADE (TYPE "K" COPPER OR PEK TUBING)
- 53 3" G. DOWN, CONNECT 2" G. TO EACH POOL BOILER WITH GAS COOK AND 6" DIRT LEG.
- 54 1" G. DOWN AND CONNECT TO SPA BOILER WITH GAS COOK AND 6" DIRT LEG.

- #### PLUMBING KEYNOTES:
- 1 1/2" HW AND 1/2" CW DOWN IN WALL TO SHOWER.
 - 2 3" W. DOWN, 2" V. RISE FOR ED/SHOWER WCO.
 - 3 1-1/4" HW AND 1-1/4" CW TO TMV ABOVE CEILING, 1-1/4" HW (MIXED) TO FIXTURES. PROVIDE SERVICE ACCESS.
 - 4 3/4" HW AND 3/4" CW TO TMV ABOVE CEILING, 3/4" HW (MIXED) TO FIXTURES. PROVIDE SERVICE ACCESS.
 - 5 2" W. DOWN, 1-1/2" V. RISE, 1/2" HW AND 1/2" CW TO LAV/SINK.
 - 6 2" W. DOWN, 2" V. RISE TO ED/SHOWER.
 - 7 BALL VALVES (FULL SIZE) WITH ACCESS.
 - 8 3" RDL UP TO 3" RD-1.
 - 9 3" ODL UP TO 4" OD-1.
 - 10 4" V. RISE TO 4" VIB.
 - 11 4" W. DOWN, 2" V. RISE, 1" CW TO WC.
 - 12 2" W. DOWN, 2" V. RISE, 1/2" CW FROM TP-1 TO ED.
 - 13 2" W. DOWN, 1-1/2" V. RISE, 1/2" CW TO EMB/DI.
 - 14 3" W. DOWN, 2" V. RISE, 1/2" HW AND 1/2" CW TO MSB/HB.
 - 15 1/2" HW, 1/2" CW AND 1/2" HW (MIXED) TO TMV ABOVE CEILING, PROVIDE SERVICE ACCESS.
 - 16 SHOCK ABSORBER ABOVE CEILING WITH ACCESS PANEL.
 - 17 2" W. DOWN, 1-1/2" V. RISE, 3/4" CW TO URINAL.
 - 18 SHOCK ABSORBER WITH ACCESS PANEL.
 - 19 1" HW, 1" CW AND 1" HW (MIXED) TO TMV ABOVE CEILING, PROVIDE SERVICE ACCESS.
 - 20 2" CW DOWN IN WALL AND OFFSET TO FIXTURES.
 - 21 3/4" HW (MIXED) DOWN IN WALL AND OFFSET TO FIXTURES.
 - 22 4" W. DOWN, 3" WET VENT, 2" V. RISE, 1/2" HW AND 1/2" CW TO LAV, 1" CW TO WC.
 - 23 3" V. RISE TO 3" VIB.
 - 24 4" RDL UP TO 4" RD-1.
 - 25 4" ODL UP TO 4" OD-1.
 - 26 3/4" CW DOWN TO WEL/HB.
 - 27 COMBINATION WASTE AND VENT SYSTEM.
 - 28 2" CW DOWN TO POOL AUTO-FILL, SEE DETAIL ON POOL CONSULTANTS DRAWING FOR DIV. 22 REQUIREMENTS.
 - 29 1-1/4" HW, 1-1/4" CW AND 1-1/4" TEPID WATER FROM TMV.
 - 30 1-1/4" TEPID WATER TO ES/EEM-1.
 - 31 4" PERFORATED FOUNDATION DRAIN SLOPED @ 1.04%.
 - 32 3" V. FROM SUMP PUMP AND RISE ON WALL TO 3" VIB.
 - 33 3" SUMP PUMP DISCHARGE RISE AND OFFSET ON WITH 4" STORM LINE AT STRUCTURE.
 - 34 3" VENT RISE AND OFFSET ON WALL AND RISE TO 3" VIB.
 - 35 4" V. RISE FOR COMBINATION WASTE AND VENT SYSTEM TO 4" VIB FOR ED.
 - 36 4" SEWAGE EJECTOR AIR GAP INTO BACKWASH PIT.
 - 37 3" SEWAGE EJECTOR DISCHARGE RISE TO STRUCTURE AND OFFSET WITH 4" WASTE.
 - 38 1" HWC DOWN ON WALL TO TP-1.
 - 39 3" PLUG VALVE ON HOUSE SIDE OF METER.

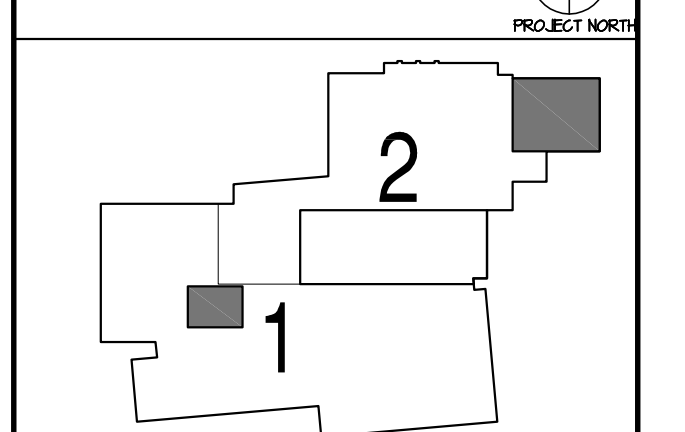


1 ENLARGED SCALE PLUMBING PLAN
 SCALE: 1/4"=1'-0"
 P4.11 F.F.=100'=4502'



2 ENLARGED SCALE PLUMBING PLAN
 SCALE: 1/4"=1'-0"
 P4.11

KEY PLAN



Issues/Revisions:	Date:
SCHEMATIC DESIGN	04-13-04
DESIGN DEVELOPMENT	07-10-04
10% CD COORDINATION	04-01-04
CONSTRUCTION DOCUMENTS	04-22-04

FRUITA COMMUNITY CENTER & MESA COUNTY LIBRARIES/ FRUITA BRANCH

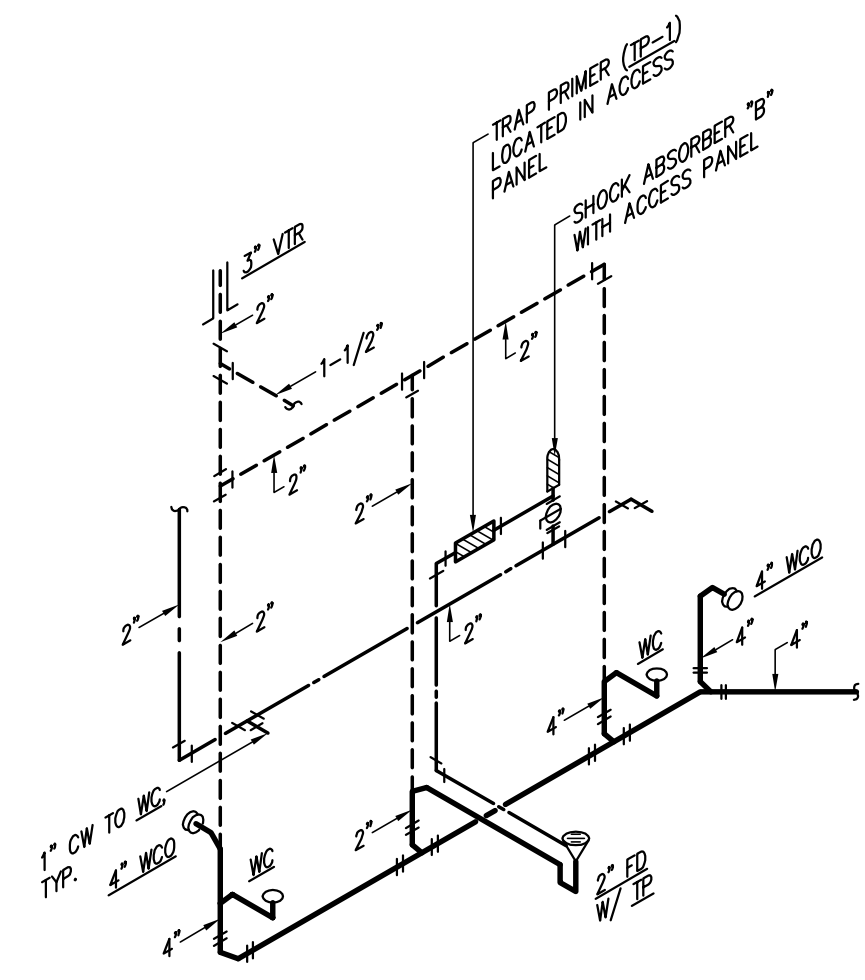
FRUITA COLORADO

SCD Project No.: 0401

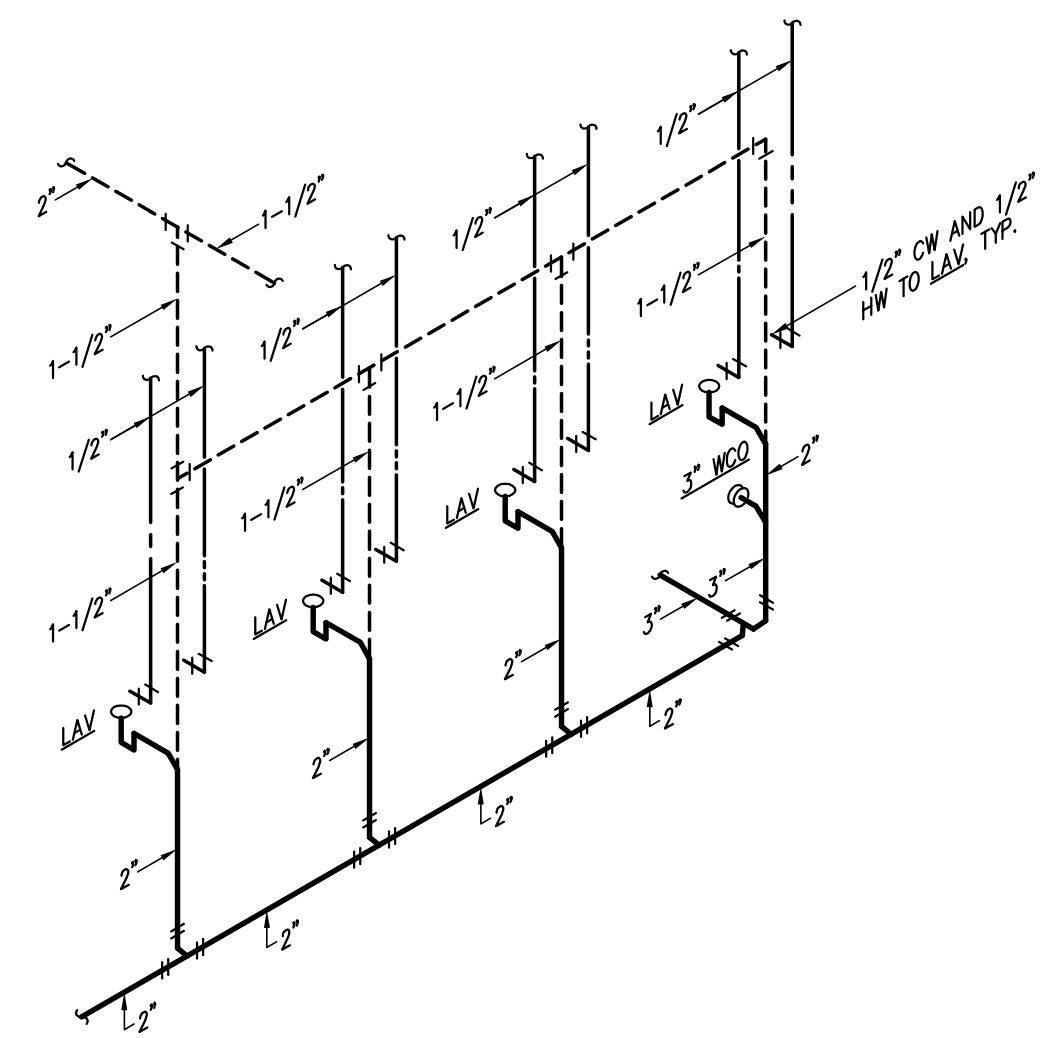
ENLARGED SCALE PLUMBING PLANS

Drawn by: TRH
Checked by: TRH

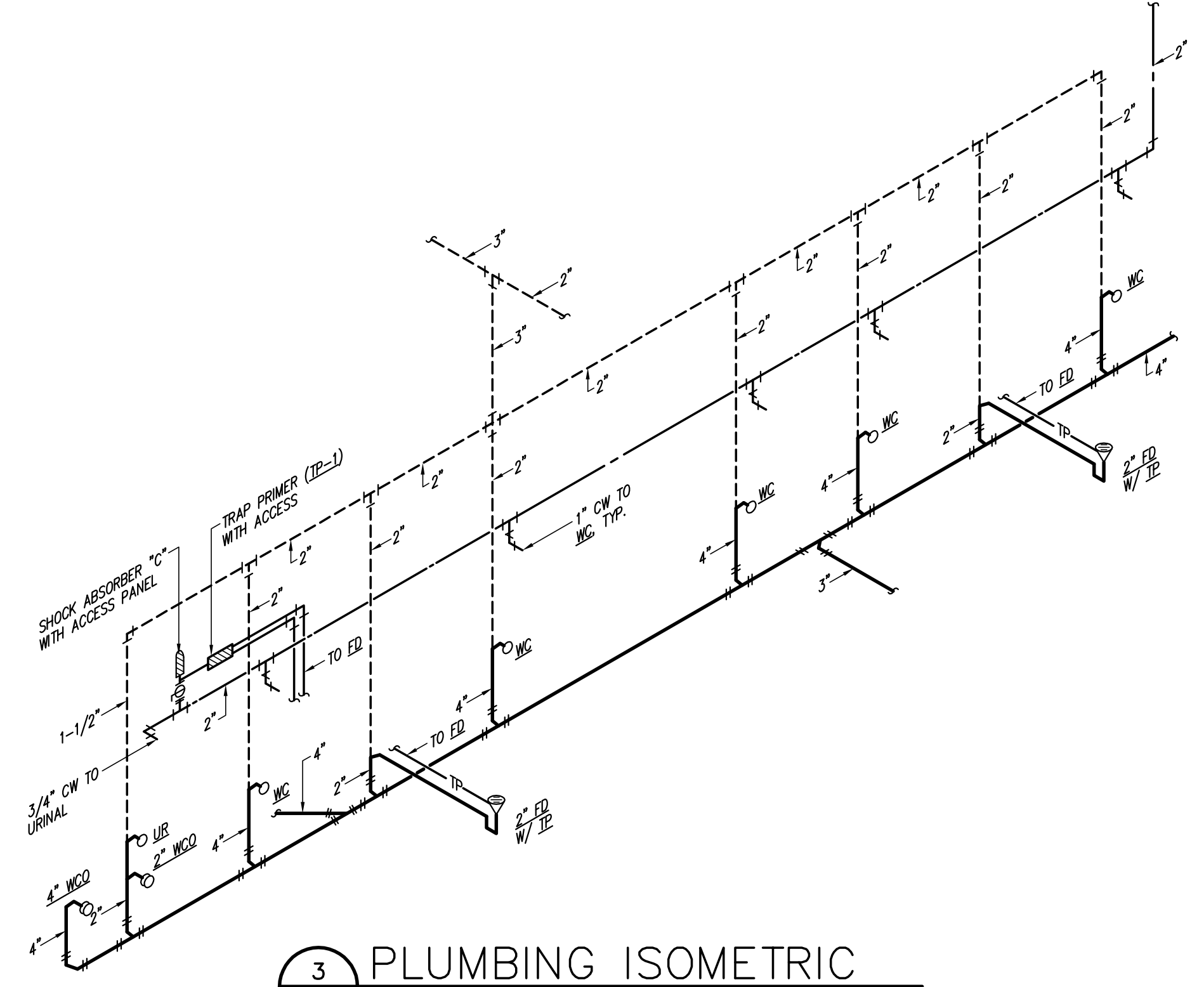
P4.11



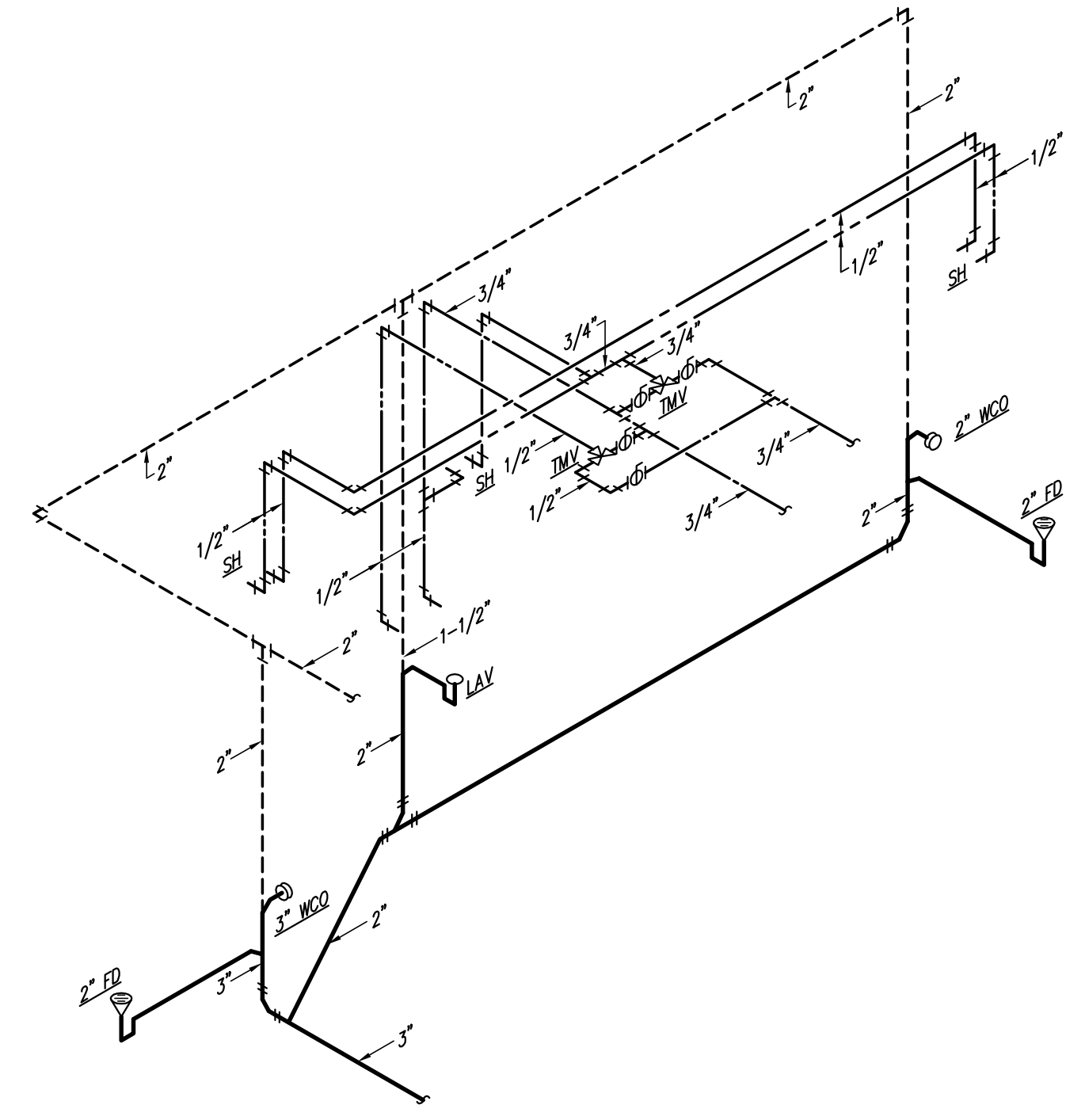
1 PLUMBING ISOMETRIC
P5.10 SCALE: NONE



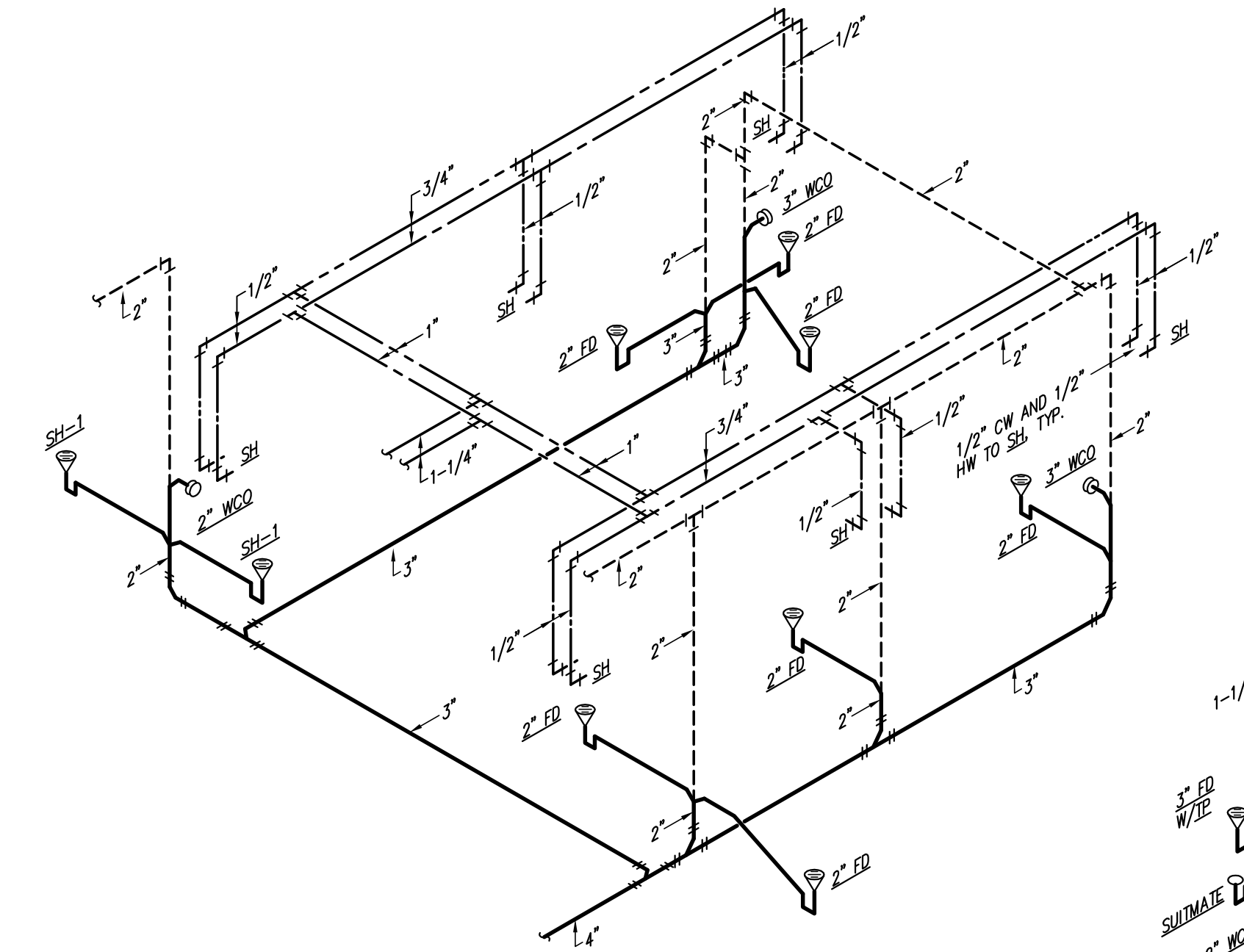
2 PLUMBING ISOMETRIC
P5.10 SCALE: NONE



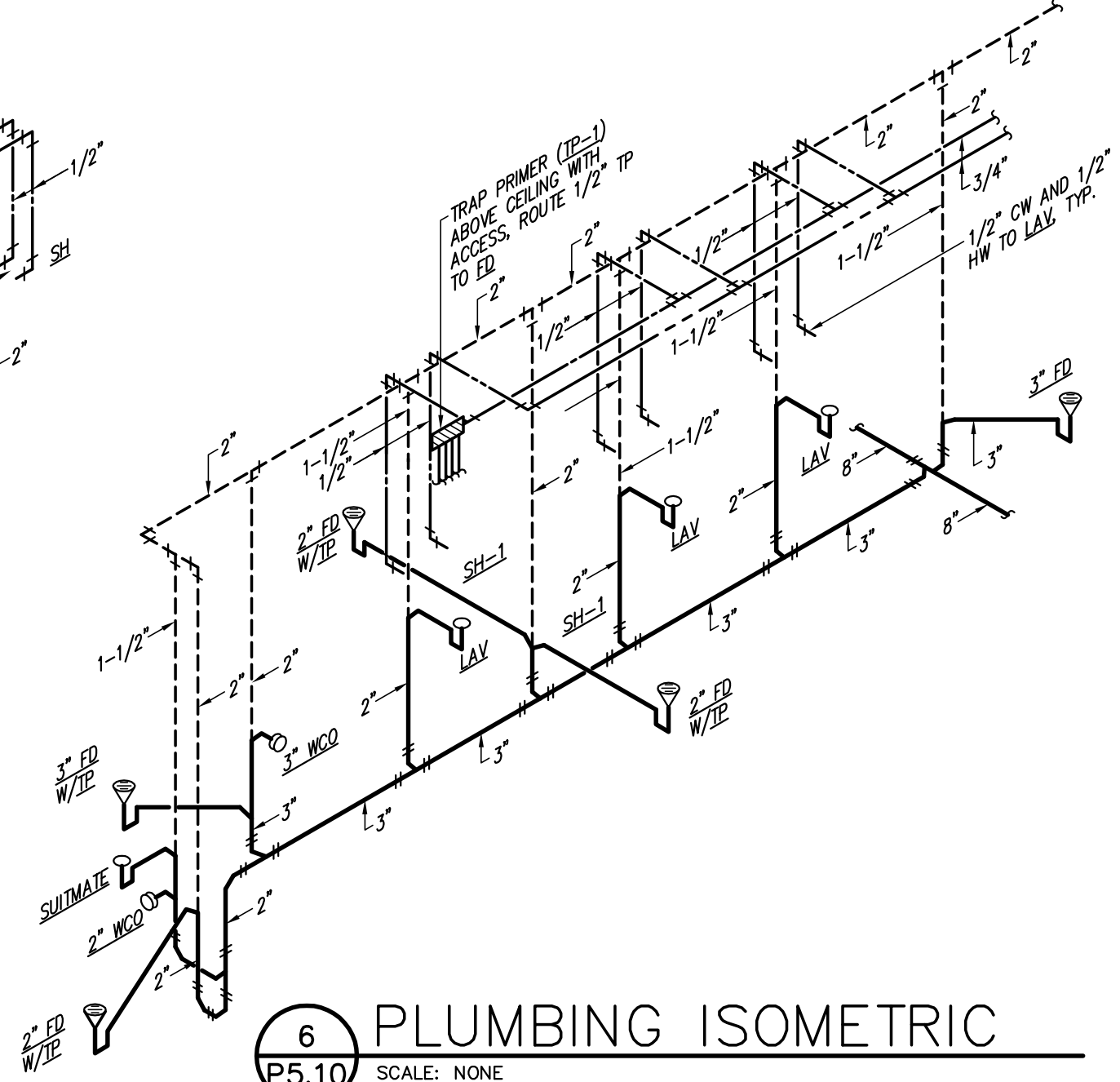
3 PLUMBING ISOMETRIC
P5.10 SCALE: NONE



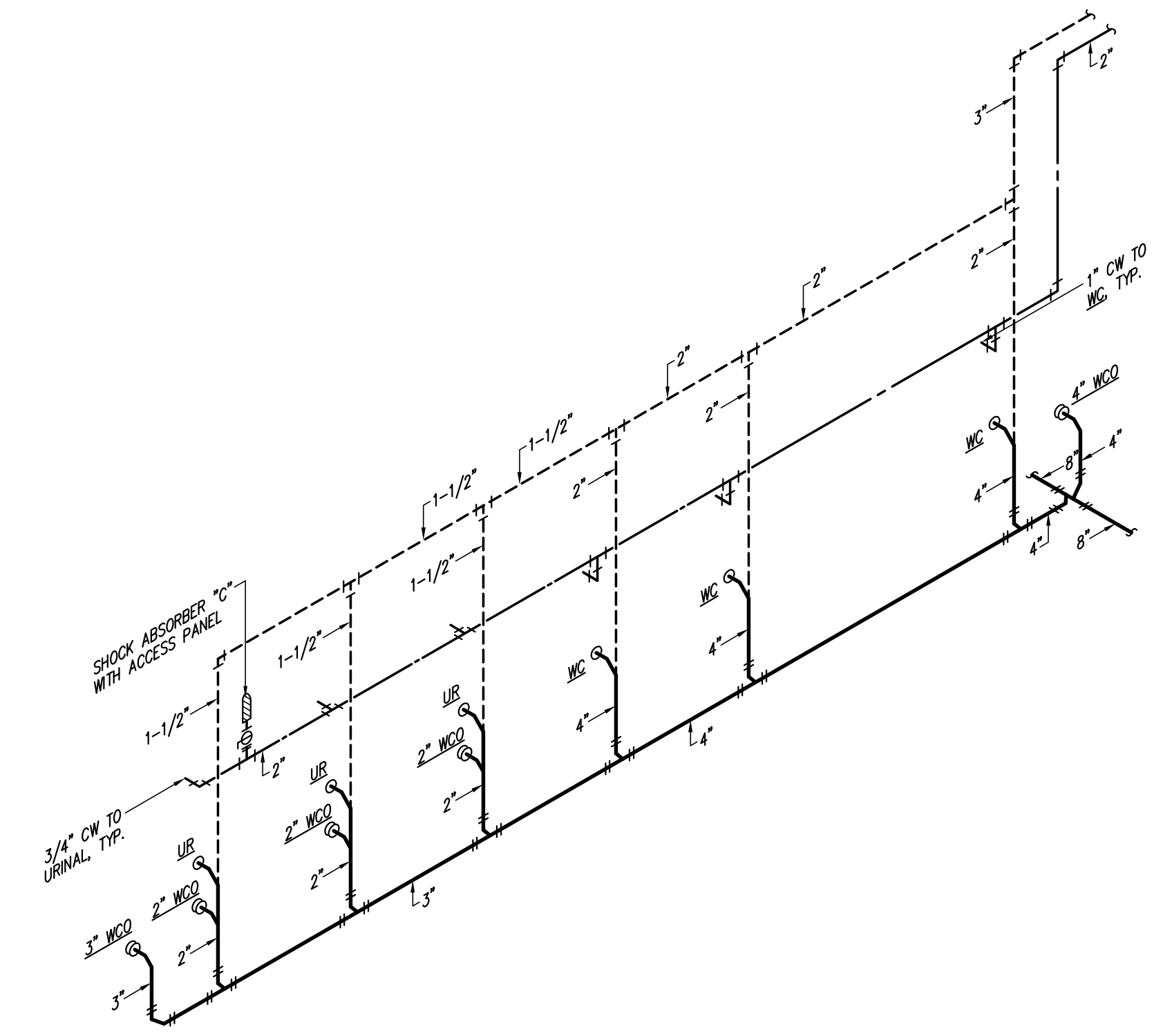
4 PLUMBING ISOMETRIC
P5.10 SCALE: NONE



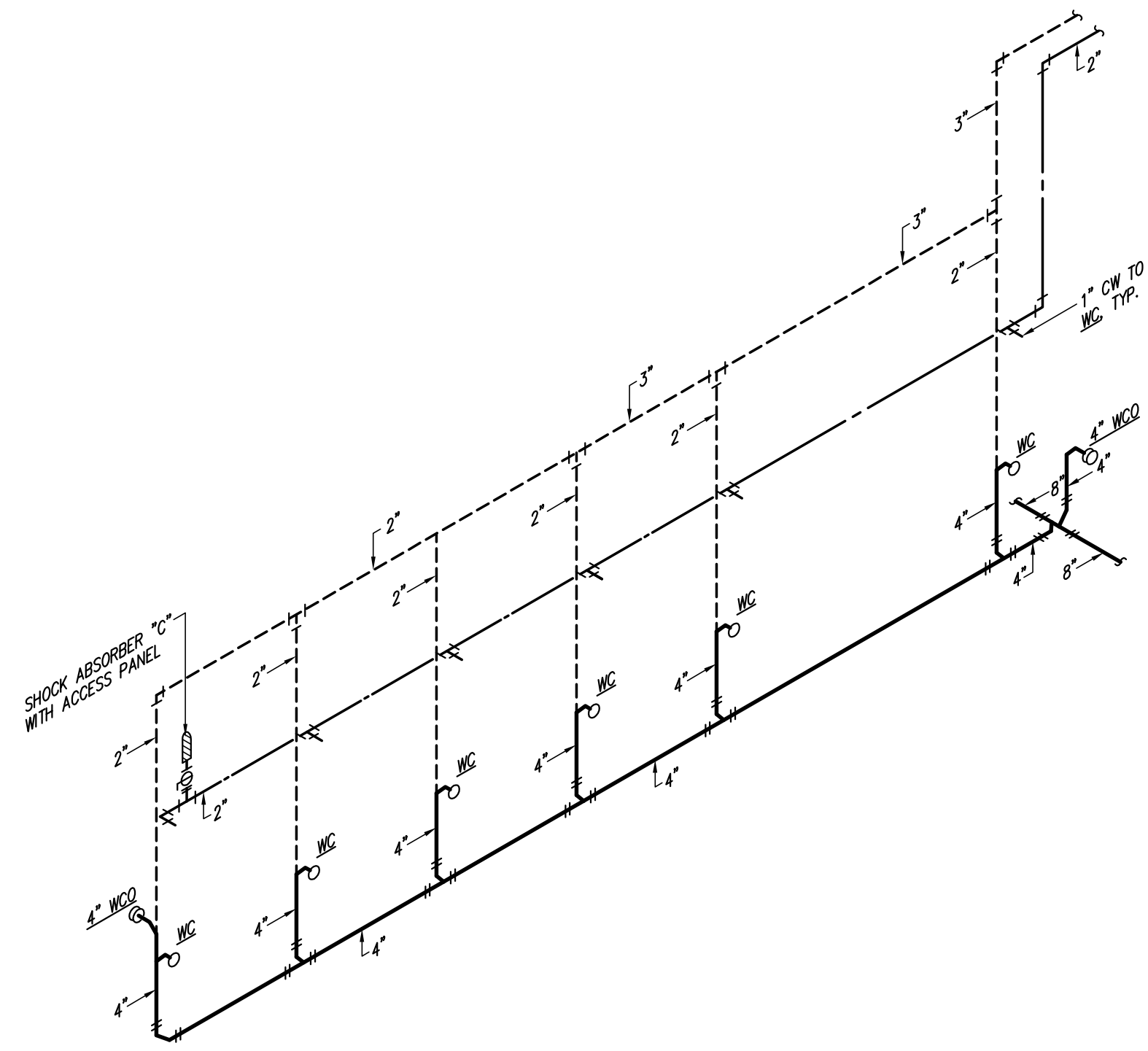
5 PLUMBING ISOMETRIC
P5.10 SCALE: NONE



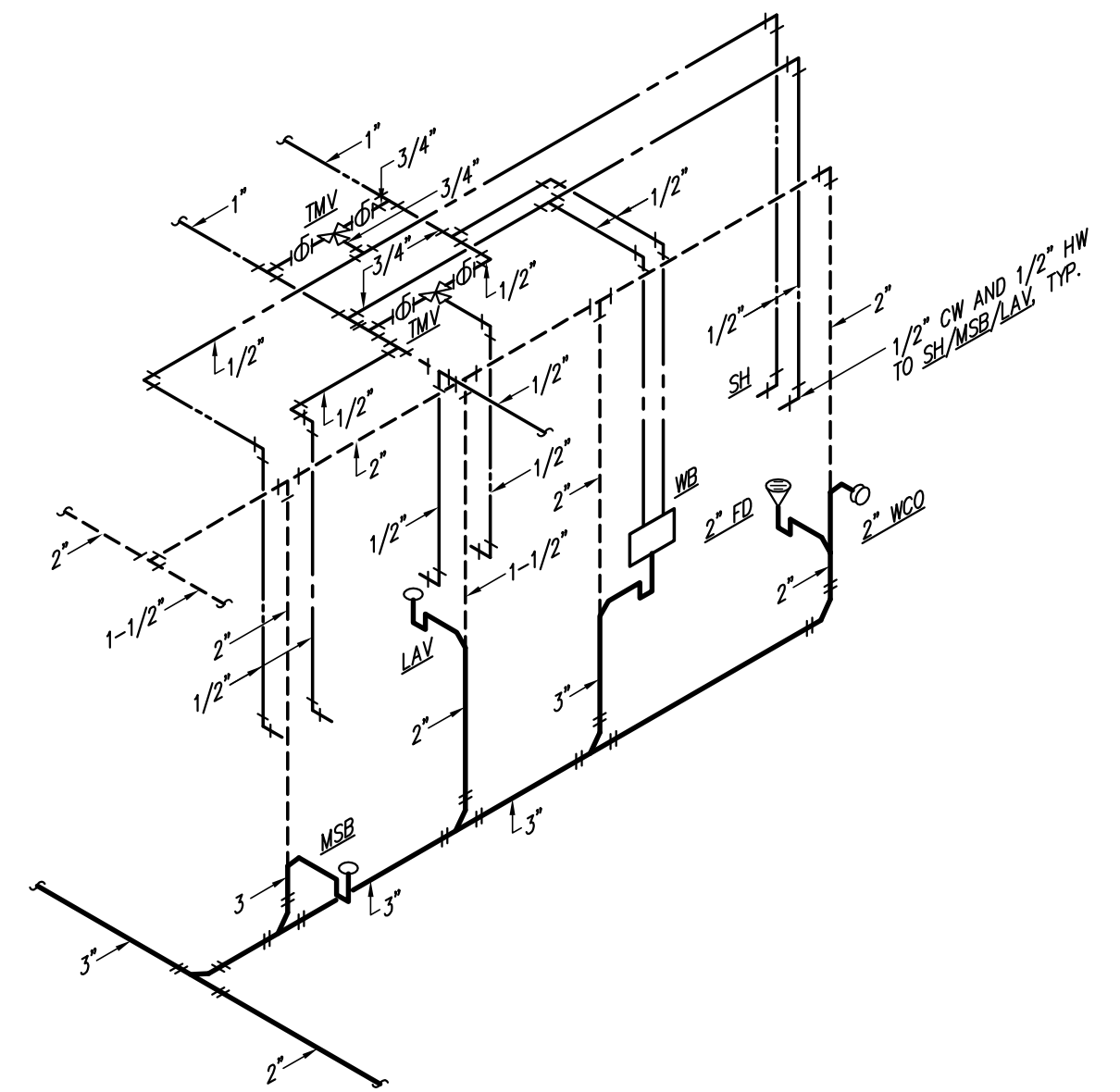
6 PLUMBING ISOMETRIC
P5.10 SCALE: NONE



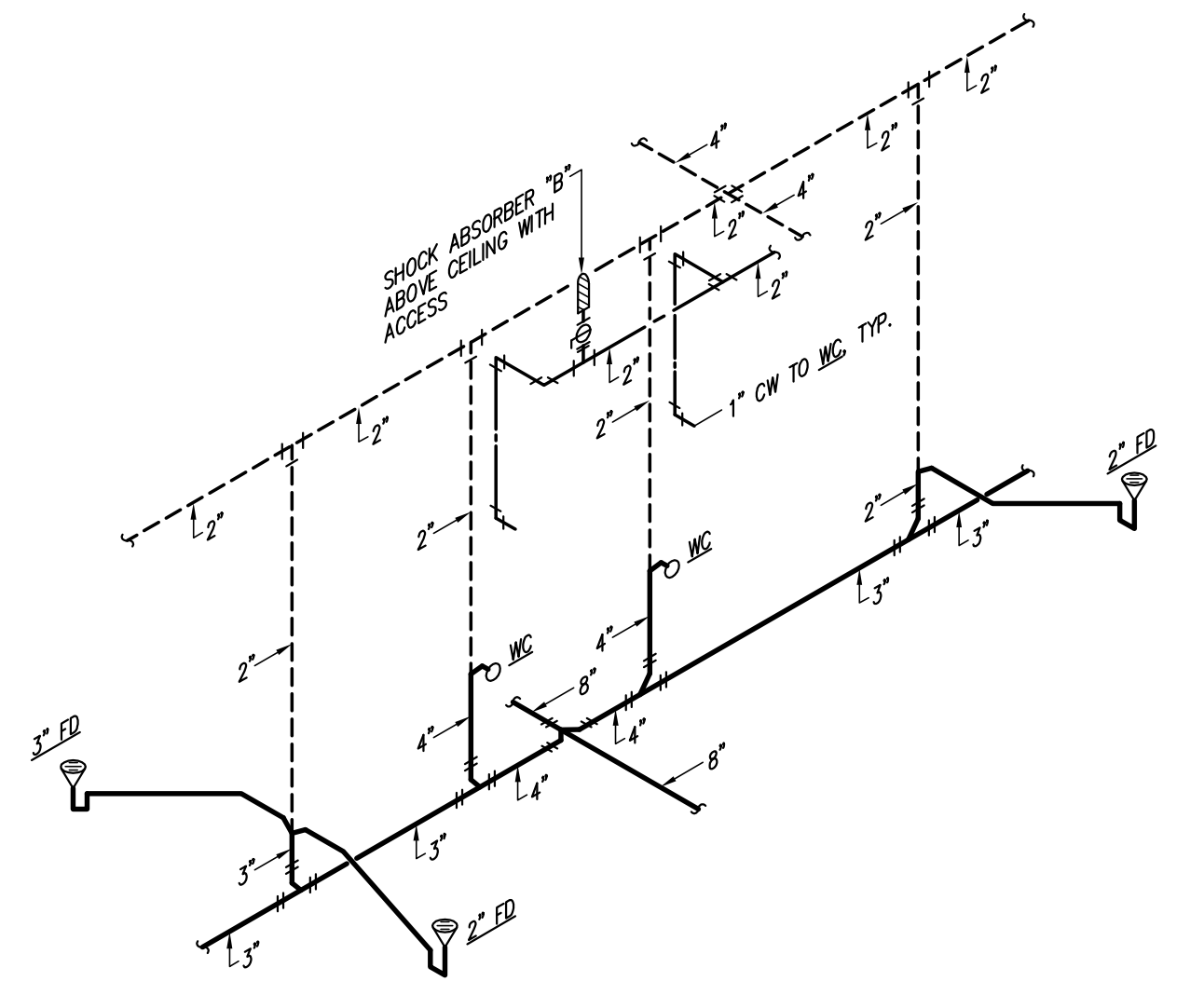
7 PLUMBING ISOMETRIC
P5.10 SCALE: NONE



8 PLUMBING ISOMETRIC
P5.10 SCALE: NONE



9 PLUMBING ISOMETRIC
P5.10 SCALE: NONE



10 PLUMBING ISOMETRIC
P5.10 SCALE: NONE

All information appearing herein shall not be duplicated, discharged or otherwise used without the written consent of Sink Combs Dethlefs.



SINK COMBS DETHLEFS

A Professional Corporation 475 Lincoln Street, Suite 100, Denver, Colorado 80203
303.388.0200
303.388.0202

The Ballard Group, Inc.
Mechanical Consulting Engineers
(303) 988-4514

KEY PLAN

Issues/Revisions:	Date:
SCHEMATIC DESIGN	04-13-04
DESIGN DEVELOPMENT	07-10-04
10% CD COORDINATION	04-01-04
CONSTRUCTION DOCUMENTS	04-22-04

FRUITA COMMUNITY CENTER & MESA COUNTY LIBRARIES/ FRUITA BRANCH

FRUITA COLORADO

SCD Project No.: 0901

PLUMBING ISOMETRICS

Drawn by: TRH
Checked by: TRH

P5.10

PUMP SCHEDULE															
PLAN CODE	MANUFACTURER & MODEL NO.	TYPE	SERVICE	MAX OPER. TEMP	GPM	HEAD (FT)	% EFF.	ELECTRICAL				VIBRATION ISOLATION	CONTROL	WEIGHT (LBS)	REMARKS
								HP (BHP)	VOLTS	Ø	RPM				
PP-1	B&G SERIES PL-36B	IN-LINE	DOMESTIC HW CIRC.	140F	7	30'	-	1/6	120	1	1,750	INTEGRAL	DDC	-	NOTES: 1,2,8
SE-1/ SE-2	WEIL #2422-550	SUBMERSIBLE	DECK DRAINAGE	#550	50	20'	-	1	480	3	1,750	-	NOTE: 3	-	NOTES: 3,6
SE-3	ZOELLER FLOOR SUCKER #46	SUBMERSIBLE	SURGE TANK DRAINAGE	-	37	15.0	-	1/2	120	1	1,750	-	NONE	-	NOTE: 4,7
SP-2 & 3	WEIL #1608-563	SUBMERSIBLE	FOUNDATION DRAINAGE	-	80	25'	-	2	480	3	1750	-	NOTE: 3	-	NOTES: 3,6
SP-1	ZOELLER #163	SUBMERSIBLE	ELEVATOR PIT	-	50	35'	-	1/2	120	1	1750	-	-	-	NOTE: 5

NOTES:
1. ALL BRONZE (PROVIDE BALANCE REPORT).
2. CLOCK BY T.C.C. AND WIRED BY T.C.C.
3. DUPLEX CONTROL PANEL (WEIL CO. #8159) , ALTERNATING, HW ALARM, DRY CONTACTS (TROUBLE), MERCURY FLOATS, M.C. TO PROVIDE ALL WIRING TO PANEL FROM PUMP, POWER WIRED TO PANEL BY E.C., PROVIDE REMOTE HW ALARM CONTACT FOR T.C.C. CONNECTION.
4. FOR FUTURE USE TO DRAIN SURGE TANKS, 20' CORD.
5. WITH CONTROL PANEL ALARM FOR PUMP ACTIVATION & TROUBLE (HW) ALARM TO D.D.C.
6. TROUBLE/STATUS ALARM TO D.D.C.
7. PROVIDE ON SHELF IN POOL EQUIP RM FOR MAINTENANCE DRAINING OF SURGE TANK.
8. SEE DDC CONTROL SEQUENCE.

WATER HEATER SCHEDULE (GAS-FIRED)									
PLAN CODE	MANUFACTURER & MODEL NO.	STORAGE GALLONS	G.P.H. RECOVERY @ 100' RISE	BTUH INPUT @ SEA LEVEL	FLUE SIZE	TANK SIZE		OPER. WEIGHT	REMARKS
						DIA.	HT.		
GWH-1	LOCHINVAR #CFN501PM	200 EACH	515 @ S.L.	500,000	(2) 6"	32"	77-1/4"	NOTE 4	NOTES: 1,2,3,4,5
GWH-2	LOCHINVAR #CFN501PM	200 EACH	515 @ S.L.	500,000	(2) 6"	32"	77-1/4"	NOTE 4	NOTES: 1,2,3,4,5

NOTES:
1. ASME RATED
2. PROVIDE STACK RACK
3. PROVIDE (2) LOCHINVAR #RJA200, ASME, 200 GALLON STORAGE TANK
4. TANK (2) EACH 2300 LBS, HEATER (2) EACH 700 LBS.
5. (2) SEPARATE 120/60/1Ø CIRCUITS FOR EACH HEATER, (1) CONTROL, (1) PUMP - 1/3 H.P.

DOMESTIC HW STORAGE TANK SCHEDULE						
PLAN CODE	MANUFACTURER & MODEL NO.	STORAGE GALLONS	TANK SIZE		OPER. WEIGHT	REMARKS
			DIA.	HT.		
ST-1	LOCHINVAR RJA200	200	32"	77-1/4"	2366 LBS	NOTE: 1
ST-2	LOCHINVAR RJA200	200	32"	77-1/4"	2366 LBS	NOTE: 1

NOTES:
1. ASME RATED.

MISCELLANEOUS PLUMBING EQUIPMENT SCHEDULE					
CODE	DESCRIPTION	MANUFACTURER	MODEL	FINISH	REMARKS
PET-1	PLUMBING EXPANSION TANK	AMTROL	ST-60-V-C	STEEL	NOTE: 1
TMV-1	THERMOSTATIC MIXING VALVE ASSEMBLY	HAWS	9202	ROUGH BRASS	NOTE: 2
TMV-3,4,5,6,7,9,10,11,12,13,14,15,16,17,18,19	THERMOSTATIC MIXING VALVE ASSEMBLY	POWERS	LM-495 (ASSE 1070)	ROUGH BRASS	NOTE: 5
TMV-2 & 8	THERMOSTATIC MIXING VALVE ASSEMBLY	POWERS	1432 MASTER MIXER	ROUGH BRASS	ASSE-1017-15 GPM MAX Ø 10 PSI LOSS
TD-1	TRENCH DRAIN	ACO	MINIKLASSIK #06750 WITH #PE78B HDPE GRATE	COORD. W/ ARCH	NOTE: 3
DSM-1	DOWNSPOUT NOZZLE	JOSAM	25010	CAST BRONZE	SEE DRAWINGS FOR SIZES
TMV-2	THERMOSTATIC MIXING VALVE	LAWLER	802	-	30 GPM AT MAX 10 PSI LOSS.
OI-1	OIL INTERCEPTOR	JOSAM	60508B	-	50 GPM FLOW NOTE: 4
SI-1	SOLID'S INTERCEPTOR	ZURN	Z1180	ACID RESISTING COMPOSITE	NOTE: 6,7

NOTES:
1. ASME
2. EMERGENCY SHOWER/ EMERGENCY EYEWASH
3. SEE ARCHITECTURAL DRAWINGS FOR LENGTH AND LAYOUT, M.C. TO PROVIDE & INSTALL PER MANUFACTURER'S RECOMMENDATION, PROVIDE DIMENSION SHOP DRAWING FOR ARCH/ENGINEER'S APPROVAL.
4. PROVIDE SERVICE ACCESS. HANG FROM STRUCTURE.
5. COORDINATE VALVE SIZE (FULL SIZE) WITH PLAN SIZES.
6. PROVIDE SERVICE ACCESS/REMOVE BELOW CASEWORK
7. DELETE P-TRAP WHEN SI-1 IS PROVIDE.

PLUMBING FIXTURE CONNECTION SCHEDULE									
PLAN CODE	FIXTURE	PIPE SIZE (INCHES, MINIMUM)						REMARKS	
		WASTE		VENT	COLD WATER		HOT WATER		
		TRAP & ARM	VERT. DRAIN		SUPPLY (MIN.)	CONNECTION (ACTUAL)	SUPPLY (MIN.)		CONNECTION (ACTUAL)
WC	WATER CLOSET	INT.	4"	2"	1"	1"	-	-	
U	URINAL	INT.	2"	1-1/2"	3/4"	3/4"	-	-	
L	LAVATORY	1-1/2"	2"	1-1/2"	1/2"	3/8"	1/2"	3/8"	
S	SINK	1-1/2"	2"	1-1/2"	1/2"	1/2"	1/2"	1/2"	
SH	SHOWER	2"	2"	2"	1/2"	1/2"	1/2"	1/2"	
DF/EWC	DRINKING FOUNTAIN (WATER COOLER)	1-1/2"	2"	1-1/2"	1/2"	3/8"	-	-	
WH/HB	WALL HYDRANT/HOSE BIBB	-	-	-	3/4"	3/4"	-	-	
ESE	EMERGENCY SHOWER/ EYEWASH	-	-	-	1-1/4"	-	1-1/4"	-	TEPID WATER
MSB	MOP SERVICE BASIN	3"	3"	2"	1/2"	1/2"	1/2"	1/2"	

PLUMBING FIXTURE SCHEDULE									
PLAN CODE	DESCRIPTION	MANUF.	MODEL	COLOR FINISH	FITTINGS	MANUF.	MODEL	COLOR FINISH	REMARKS
WC-1	WATER CLOSET (WH)	KOHLER	K-4330	WHITE	FLUSH VALVE SEAT	SLOAN KOHLER	8111-YBYC-1.6 ROYAL K-4666-C	CHROME WHITE	NOTES: 8,19,30
WC-2	WATER CLOSET (WH) (ACCESSIBLE)	KOHLER	K-4330	WHITE	FLUSH VALVE SEAT	SLOAN KOHLER	8111-YBYC-1.6 ROYAL K-4666-C	CHROME WHITE	NOTES: 8,20,30
WC-3	WATER CLOSET (FM) (KID'S AREA)	KOHLER	K-4321	WHITE	FLUSH VALVE SEAT	SLOAN KOHLER	8111-YBYC-1.6 ROYAL WITH TOILET K-13885	CHROME WHITE	NOTES: 8,27
WC-4	WATER CLOSET (FM) (ACCESSIBLE)	KOHLER	K-4368	WHITE	FLUSH VALVE SEAT	SLOAN KOHLER	8111-YBYC-1.6 ROYAL K-4666-C	CHROME WHITE	NOTES: 8,20
EWC-1	ELECTRIC WATER COOLER (ADA) HIGH/LOW	ELKAY	EZSTLC	STAINLESS STEEL	-	-	-	-	NOTES: 1,2,28,29
U-1	URINAL (ACCESSIBLE)	KOHLER	K-4960-ET	WHITE	FLUSH VALVE SEAT	SLOAN KOHLER	8186-1.0	CHROME WHITE	NOTES: 8,21,30
U-2	URINAL (ACCESSIBLE)	KOHLER	K-4960-ET	WHITE	FLUSH VALVE SEAT	SLOAN KOHLER	8186-1.0	CHROME WHITE	NOTES: 8,22,30
L-1	LAVATORY (ACCESSIBLE) (UNDERCOUNTER MOUNTED)	KOHLER	K-2211	WHITE	FAUCET DRAIN	DELTA KOHLER	2530-LHP-H24-A24-0.5 GPM K-13885	CHROME CHROME	NOTES: 1,4,5,10
L-2	LAVATORY (WALL HUNG) ACCESSIBLE	KOHLER	K-2005	WHITE	FAUCET DRAIN	DELTA KOHLER	2530-LHP-H24-A24-0.5 GPM K-13885	CHROME CHROME	NOTES: 1,4,5,6,10
S-1	SINK (DOUBLE) (ACCESSIBLE)	ELKAY	LRAD-3321-6-1/2"	STAINLESS STEEL	FAUCET	DELTA	2176-LHP-H24-A24	CHROME	NOTES: 3,5,7,26
S-2	SINK (ACCESSIBLE)	ELKAY	LRAD-1919-6-1/2"	STAINLESS STEEL	FAUCET	DELTA	2176-LHP-H24-A24	CHROME	NOTES: 3,5,7,26
S-3	SINK (ACCESSIBLE)	ELKAY	LRAD-2521-6-1/2"	STAINLESS STEEL	FAUCET	DELTA	2176-LHP-H24-A24	CHROME	NOTES: 3,5,7,26
SH-1	SHOWER (MEN'S)	-	-	-	SHOWER VALVE HEAD	BRADLEY	IC-EF-HD-SF-ST-BP	CHROME	NOTES: 11,12,14,15,18
SH-2	SHOWER (WOMEN'S)	-	-	-	SHOWER VALVE HEAD	BRADLEY	IC-EF-HD-SF-ST-BP	CHROME	NOTES: 11,12,14,15,18
SH-3	SHOWER (ACCESSIBLE)	-	-	-	SHOWER VALVE HEAD, HAND SHOWER	BRADLEY ALSON	HN-HD-300-EF 62001 DSBX	CHROME STAINLESS STEEL	NOTES: 11,12,13,14,15, 16,18
DF-1	DRINKING FOUNTAIN (ADA)	ELKAY	EDFP217C	STAINLESS STEEL	-	-	-	-	NOTES: 1,2
MSB-1	MOP SERVICE BASIN	FIAT	MSB2424	WHITE	FAUCET	ZURN	Z843M1-CS-RC	CHROME	NOTES: 14,17
EEW/ES-1	EMERGENCY EYE WASH/ EMERGENCY SHOWER	HAWS	8336	PVC PLASTIC COMBINATION	-	-	-	-	NOTES: 23,24,25
GDU-1	GARBAGE DISPOSAL UNIT	IN-SINK ERATOR	BADGER 5	-	-	-	-	-	NOTE: 9
IMB-1	ICE MAKER BOX	GUY GRAY	BIM-875	WHITE	-	-	-	-	W/ SHOCK ABSORBERS
WB-1	WASHER BOX	GUY GRAY	BB-200TS	WHITE METAL	-	-	-	-	-

NOTES:
1. 1/2"x3/8" FLEX. SUPPLIES W/ L.K. STOPS. 17 GA. P-TRAP W/ C.O.
2. WITH CARRIER, WALL MOUNTED ON BLOCK & FLOOR MOUNT IN STUD WALL.
3. 1/2" FLEX SUPPLIES W/ L.K. STOPS. 1-1/2" 17 GA. P-TRAP W/ C.O.
4. 0.5 GPM FLOW RESTRICTOR.
5. TRUEBRO #03 INSULATION KIT FOR DRAIN AND SUPPLIES.
6. WITH WALL MOUNTED CONCEALED ARM CARRIER.
7. CRUMB CUP STRAINER.
8. BATTERY OPERATED FLUSH VALVE.
9. 1/2 H.P., 120/60/1
10. GRID STRAINER.
11. WITH 2" FD-1.
12. HEAVY-DUTY SHOWER VALVE.
13. LESS GRAB BAR, SEAT & CURTAIN, ITEMS TO BE FURNISHED BY G.C.
14. WITH INTEGRAL STOPS & CHECK STOPS.
15. 2.5 GPM HEAD WITH DELUXE HEAD & BACK PLATE.
16. 1 FIXED HEAD, 1 HAND HELD HEAD, 60" STAINLESS STEEL HOSE, INLINE BACKFLOW PREVENTER, DIVERTER VALVE.
17. 24"x24"x10" DEEP UNIT, VACUUM BREAKER, FAIL HOOK, WALL BRACE & CHECK STOPS.
18. CO-ORDINATE MOUNTING HEIGHT OF SHOWER HEAD W/ ARCHITECT.
19. MOUNT Ø 15" FROM FLOOR TO RIM.
20. MOUNT Ø 18" FROM FLOOR TO RIM.
21. MOUNT Ø 24" FROM FLOOR TO RIM.
22. MOUNT Ø 17" FROM FLOOR TO RIM.
23. WITH PULL ROD & STAY OPEN VALVE.
24. WITH TMV-1 FOR TEPID WATER.
25. LESS BOWL.
26. 1.5 GPM FLOW RESTRICTOR.
27. MOUNTED Ø 10" A.F.F.
28. MOUNTED Ø ADULT AND CHILD ADA HEIGHTS.
29. 1/5 H.P., 120/60/1Ø
30. WITH CARRIER, COORDINATE WALL THICKNESS.

All information appearing herein shall not be duplicated, discharged or otherwise used without the written consent of Sink Combs Dethlefs.



SINK COMBS DETHLEFS

A Professional Corporation 475 Lincoln Street, Suite 100, Denver, Colorado 80203 303 388 0200 FAX 303 9222



The Ballard Group, Inc.
Mechanical Consulting Engineers
(303) 988-4514

KEY PLAN

Issues/Revisions:	Date:
SCHEMATIC DESIGN	04-13-04
DESIGN DEVELOPMENT	07-10-04
10% CD COORDINATION	04-01-04
CONSTRUCTION DOCUMENTS	04-22-04

FRUITA COMMUNITY CENTER & MESA COUNTY LIBRARIES/ FRUITA BRANCH

FRUITA COLORADO

SCD Project No.: 0901

PLUMBING SCHEDULES

Drawn by: TRH
Checked by: TRH

P7.10