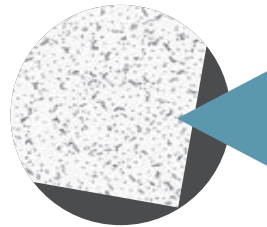


# RANDOM TEXTURED/SCORED

## OPTIONS



933 RANDOM TEXTURED

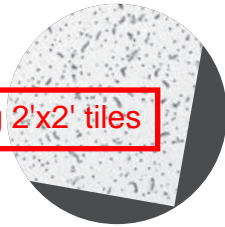


ENLARGED TO SHOW DETAIL

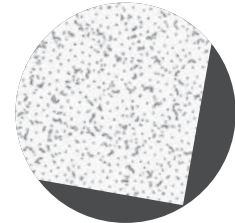


match existing 2'x2' tiles

934, 935 RANDOM TEXTURED



9767 SCORED



## PERFORMANCE AND INSTALLATION GUIDE

Item #	Dimensions (Inches)	Edge Detail	Installation Method	Fire Resistance	Sag Resistance	Mold/Mildew Resistance	Noise Reducing		Light Reflectance	Recycled Material Content
							NRC	CAC		
933	24 x 48 x 5/8	Square	Prelude® 15/16-in Grid	Class A	Standard	Standard	0.55	35	0.80	30%
934	24 x 24 x 5/8	Tegular	Prelude® 15/16-in Grid	Class A	Standard	Standard	0.55	33	0.80	30%
935	24 x 24 x 5/8	Square	Prelude® 15/16-in Grid	Class A	Standard	Standard	0.55	33	0.80	30%
9767	24 x 48 x 3/4	Tegular	Prelude® 15/16-in Grid	Class A	Standard	Standard	0.55	35	0.82	29%

## PACKAGING GUIDE

Item #	Dimensions (Inches)	SF Per Ctn	Pcs/Ctn	Lbs/Ctn	Ctns Per Pallet	Layers Per Pallet	Warranty
933	24 x 48 x 5/8	80	10	53	30	15	1-Year
934	24 x 24 x 5/8	64	16	44	36	9	1-Year
935	24 x 24 x 5/8	64	16	41	36	9	1-Year
9767	24 x 48 x 3/4	80	10	59	24	12	1-Year

TECHLINE: 1 877 ARMSTRONG (276-7876)  
techline@armstrongceilings.com

ceilings.com

# High-Performance - Ultra-Tackability and Recovery - Structural - Sustainable

Up to 98% recycled content - Sound Control (from one space to another) - Insulating - LEED approved - low-VOC



*All Homasote Decorative Interior Panels are structural and can be installed directly to studs along the long edge to create a finished wall or used as standalone panels.*

## **PINnacle™**

PINnacle™ 440 and Class A-rated PINnacle™ N.C.F.R.® are benchmarks for tackboard, providing ultra-tackability, elegance and ease of maintenance in one finished wall panel. As complete walls or separate tack surfaces in schools, public buildings and offices, PINnacle's velvet-like sanded surface is a class of its own.

- Uniform thickness
- Excellent for fabric wrapping
- 98% recycled content
- High-performance furniture component
- Class-A Rated N.C.F.R. PINnacle has fire-retardant chemicals throughout - 55% recycled content
- Touch-ups a snap – brush lightly with fine grit sandpaper
  - Like a brand new board all over again.
- For a finished wall simply follow the installation instructions and fasten using finished screws and washers of your choice.

## **NovaCork**

Natural, rapidly renewable cork laminated to a 440 SoundBarrier substrate (95% recycled content; creating a Class B panel). Homasote's NovaCork is the only structural cork board that can be attached directly to studs (vertically along the 8' edge) to complete a finished wall. It can be installed as a standalone over an existing wall, or cut to the desired size.

Perfect as a high-performance tackable panel as well as for a wide variety of decorative uses, such as an inlay in coffered ceilings.

### **Perfect finishes for:**

- Offices
- Schools
- Museums
- Playrooms
- Conference Rooms
- Public Buildings
- Artist's Studios
- Work Areas (for all)

**Please visit [www.homasote.com/installation](http://www.homasote.com/installation) to view the latest installation instructions.**

When *sustainability* is desired, either mandated or voluntary, the recycled content of Homasote Decorative Interior Panels can help contribute towards credits in U.S. Green Building Council (USGBC) LEED categories.



## DesignWall®

When décor and design call for tackability DesignWall meets the challenge in three designer colors. Laminated with a stylish, sustainable and 100% recycled Guilford of Maine FR701 fabric wrapped along the long edges:

- **DesignWall 550** – Class A Fire Rated  
55% recycled content
- **DesignWall 440** – Class C Rated  
98% recycled content

## 440 SoundBarrier®

440 SoundBarrier can be used for the same applications when a Class C rating is all that is required (98% recycled content).

- Can be painted with a quality water-based latex paint or dye. Please make sure to follow the painting instructions on our website carefully.

## N.C.F.R.® Homasote

Installed as a rough-hewn (masonry-like finish) fire-resistant tackboard or custom-wrapped\* with specified fabrics to create unique tackable wall surfaces (must lightly sand the surface); N.C.F.R. Homasote (N.C.F.R.) is a multi-use Class A board whose fire-resistance is completely infused with fire retardant material throughout. Unlike competitive products that are surface coated or dipped N.C.F.R. retains its fire resistance even after its surface has been compromised. (55% recycled content).

- Can be painted with a quality water-based latex paint or dye. Please make sure to follow the painting instructions on our website carefully. Paint used with N.C.F.R. may affect fire rating.

↖ Painted wall color


*Homasote is the preferred choice of architects, specifiers and designers alike.*

9-14 - Countertops

# Make it with Paper

richlite.




Chocolate Glacier 



Redstone 




Browns Point 



Maple Valley (r100) 




Grays Harbor 




Black Diamond  



Blue Canyon 

provide samples of both color and confirm selection with owner and architect

 Contains 100% Recycled Paper

 Also Available in Rapidly Renewable Paper

Richlite can be pressed from 1/4" (6mm) to 3" (75mm) thick.

Panel sizes range from 48" x 96" (2440mm x 1220mm) to 60" x 144" (3660mm x 1525mm).



**CASCADE COLLECTION**




Little Tahoma



Rainier 




Stratum  



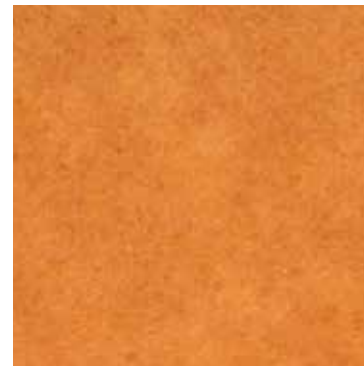
**HERITAGE COLLECTION**



r50  Contains 50% Recycled Paper



Slate



Natural

The Heritage Collection is NSF approved and used as Skatelite.



All Richlite products are:




# Surface Options

Richlite is shipped from the factory with a 'mill surface'. Some applications will require an applied surface process from a fabricator for the best long-term performance, both visually and functionally\*. The three surface options are mill, leathered and honed.


\*Please contact a sales representative to discuss the appropriate colors and applications for exterior use.

A dark, textured surface with a prominent, irregular grain pattern, characteristic of a mill finish.

Mill Finish

A dark, textured surface with a fine, uniform grain pattern, characteristic of a leathered finish. This section is highlighted with a red border.

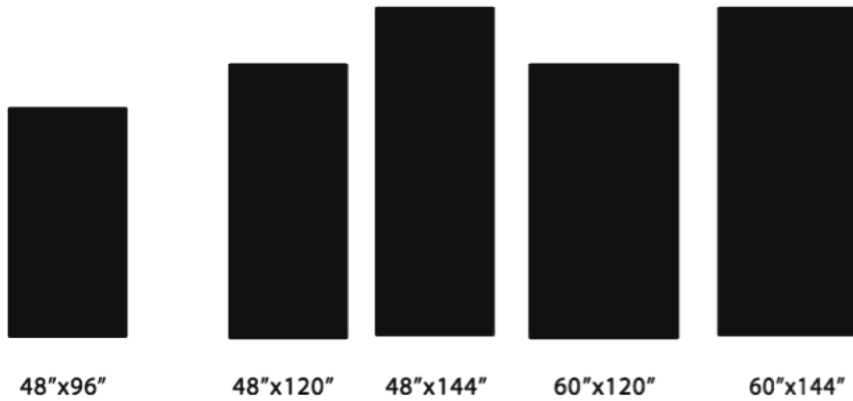
Leathered Finish

A dark, smooth surface with a fine, uniform grain pattern, characteristic of a honed finish.

Honed Finish



# Sizes, Weights, & Thickness



## RICHLITE PANEL WEIGHT IN POUNDS

Thickness	48x96	48x120	48x144	60x120	60x144
in.	Weights				
1/4	53	66	79	83	99
1/2	105	131	157	164	197
5/16	68	85	102	106	128
3/4	155	194	232	242	291
<b>1</b>	<b>206</b>	<b>257</b>	<b>309</b>	<b>322</b>	<b>386</b>
1 1/4	259	324	389	405	486
1 1/2	312	390	468	487	585
1 3/4	359	449	539	561	673
2	418	522	627	653	783
2 1/2	520	649	779	812	974
3	623	778	934	973	1168

## RICHLITE THICKNESS TOLERANCE RANGE

-4%	Fraction	Decimal	+4%
0.24"	1/4"	0.25"	0.26"
0.48"	1/2"	0.50"	0.52"
0.72"	3/4"	0.75"	0.78"
0.96"	1"	1.00"	1.04"
1.20"	1 1/4"	1.25"	1.30"
1.44"	1 1/2"	1.50"	1.56"
1.68"	1 3/4"	1.75"	1.82"
1.92"	2"	2.00"	2.08"
2.40"	2 1/2"	2.50"	2.60"
2.88"	3"	3.00"	3.12"



**an+ Sideboard**

LOCATION: Alpnach Dorf, Switzerland  
DESIGNER: Alpnach Norm-Schrankelmente AG  
APPLICATION: Furniture Surface  
COLOR: Black Diamond  
PHOTO: Foto Zumbrunn, Aarau



**Residential Kitchen**

LOCATION: Minnesota, USA  
FABRICATOR: Norcraft Cabinetry  
APPLICATION: Countertops  
COLOR: Grays Harbor  
PHOTO: Intectural, Inc.

**richlite.**

**richlite.com**

@richlite



#MakeitwithPaper

# SOLYX® Glass Finishes

## SXWF-WF White Frost



### Product Details

SOLYX® SXWF-WF White Frost is a translucent frosted polyester film with a very light texture. Manufactured with a silicone coated liner which protects the clear, pressure-sensitive adhesive, this film is designed for application to interior glass, single- or double-pane, and exterior facing-glass as well as to exterior glass. It is ideal for privacy, decorative, or architectural applications.

### Flammability Rating

This product meets ASTM E84 and is classified as Class A as defined in NFPA 101, Life Safety Code®.

### LEED Credit EQ 4.1 Low Emitting Materials, Adhesives & Sealants

This product has zero VOC content according to 40 CFR 59, Subpart D (EPA method 24).

### Product Description

SOLYX® SXWF-WF White Frost is a translucent frosted polyester film with a very light texture. It is ideal for obscuring direct visibility while allowing good light transmission.

#### Specifications

Product Code	SXWF-WF
Product Family	Frosted
Film Type	Polyester
Adhesive Type	Pressure-Sensitive
Usage	Interior or Exterior
Available Width(s)	60" (1524mm)
Full Roll Length	100 linear feet (30.5m)
Thickness	2 mil
Shading Coefficient	0.82
Visible Light Transmission	38%
UV Transmission	24%
Solar Heat Reflection	18%
Solar Energy Absorbed	20%
Glare Reduction	28%
Infra-Red Transmission	41%
Total Solar Energy Rejected	38%

### Installation and Warranty

#### Installation

Installation should be in accordance with the manufacturer's installation instructions. This film is applied using the same tools and techniques used for installing window tinting films.

#### Warranty

This SOLYX® product will be free from defects in material and manufacture for a period of ten (10) years from the date of installation. Exterior applications have a three (3) year warranty. See warranty information for specific details.

### Product Construction

#### Face Film

2 mil Polyester

#### Adhesive

Clear, Pressure-Sensitive

#### Release Liner

Silicone Coated

### Product Distribution and Contact Information

#### Distribution

SOLYX® Decorative Films are available through authorized Installing Dealers, Distributors, or directly from Decorative Films, LLC.

Samples submitted upon request.

#### Contact Information

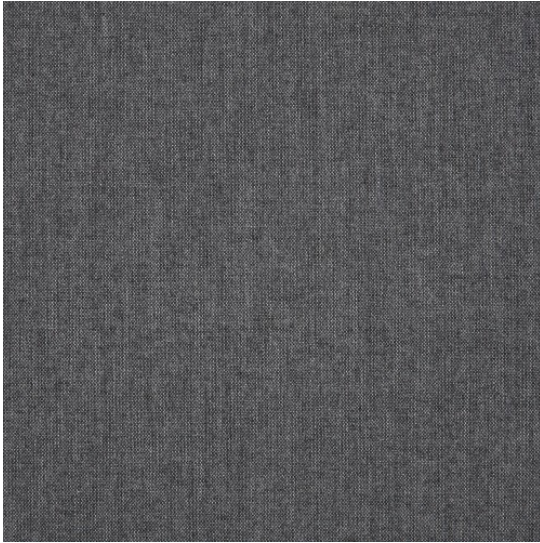
Decorative Films, LLC

1-888-657-5224

[www.decorativefilm.com](http://www.decorativefilm.com)

MADE IN THE USA





OUTDOOR



BLEACH  
CLEANABLE



MADE IN  
THE USA



## Specifications

ACT® Registered Certification Marks



Application	Upholstery, Indoor/Outdoor
Content	100% Sunbrella Acrylic
Weight	10.2 oz./yd.
Width	54.000"
Fabric Shown	Up the Roll
Origin	USA
Collection	<a href="#">1018: Pure</a> <a href="#">1022: Sunbrella Upholstery Fabrics 2022</a> <a href="#">723: Sunbrella Upholstery Fabrics 2023</a>

## Product Notes

- Prop 65 Compliant
- California AB-2998 Compliant
- PFAS Free

## Performance Characteristics

Abrasion Resistance ASTM D4157	45,000 Double Rubs
Pilling ASTM D3511 (Brush Test)	Class 4
Seam Slippage ASTM D4034 (Grab Test)	Warp: 60 lbs / Weft: 60 lbs
Break Strength ASTM D5034	Warp: 180 lbs / Weft: 160 lbs
Wet Crocking AATCC 8	Grade: 5
Dry Crocking AATCC 8	Grade: 5
Colorfastness to Light AATCC 16	Hours: 2,200 / Class: 4

## Flammability

- UFAC Class 1
- CA Technical Bulletin 117-2013
- NFPA 260

## SheenPlus

For an oiled look with extra sheen

Rubio Monocoat SheenPlus is a 0% VOC wood finish that provides a durable satin look to wooden surfaces that have been finished with Rubio Monocoat Oil Plus 2C. This product may be applied on all indoor wood surfaces, including furniture, countertops, tables, stairs, walls, floors, etc., finished with Oil Plus 2C. The combination of the oil (A) and accelerator (B) ensures a fast cure time, resulting in excellent protection. Plus, it's solvent and water-free.



### PRODUCT INFORMATION

#### › Specific characteristics

- Long-lasting satin finish
- No overlapping
- High spread rate
- Scratch-resistant result
- Based on natural ingredients, 0% VOC
- To be applied by hand, or using a floor buffer outfitted with a pad
- 100% solid content

#### › Technical characteristics

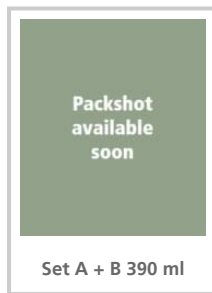
- Base: blend of natural oils
- Consistency: liquid
- Flash point cc (astm d93): > 140 °F (60 °C)
- Density: ± 1.05 kg/L
- VOC content: 0 g/L

<b>DRYING TIME</b>	24 - 36h
<b>CURING TIME</b>	7 days
<b>APPLICATION INFORMATION</b>	All vertical and horizontal interior surfaces (e.g. floors, tabletops, furniture, bathrooms, kitchens, stairs, walls, etc.)
<b>SPREAD RATE</b>	1,000 - 1,600 SF/Liter*
<b>IDEAL WORKING TEMPERATURE</b>	60 - 77 °F (15 - 25 °C)
<b>RELATIVE HUMIDITY APPLICATION RANGE</b>	35 - 60%
<b>WOOD MOISTURE CONTENT RANGE (MC)</b>	8% - 12%
<b>STORAGE</b>	41 °F - 86 °F (+ 5 °C max. - + 30 °C)  The product can be stored up to 36 months in dry conditions and in its original packaging.

<b>CLEANING</b>	Earliest after 2 days: dry cleaning only Earliest after 7 days: cleaning with water and Universal Soap or Surface Care
<b>ADVANTAGES</b>	Increase satin sheen over Oil Plus 2C
<b>POTLIFE</b>	SheenPlus may be used for a maximum of 4-6 hours after mixing A and B component together.

*\* These usages are merely an estimate. Results depend on the wood type and method of preparation. It is always recommended to make a sample in order to calculate the exact usage.*

## › Packaging



## › Storage

The product can be stored up to 36 months in dry conditions and in its original packaging. Protect against freezing.

## APPLICATION INFORMATION

### > Instructions

#### > Preparation

SheenPlus is designed to be used over wood surfaces freshly finished with Oil Plus 2C.

#### On unfinished wood surfaces:

First, apply Oil Plus 2C to the wooden surface. [Refer to the Oil Plus 2C technical data sheet for application instructions](#). After a drying time of at least 24 hours, the SheenPlus can be applied.

#### On a surface that has previously been finished with Oil Plus 2C:

First renovate the surface with Oil Plus 2C, in the colour with which the surface was originally finished. Refer to the TDS for Oil Plus 2C renovation guidelines listed under [Instructions Repair and Renovation](#). After a drying time of 24 - 36 hours, SheenPlus can be applied.

### > Instructions

#### Application on furniture and tables

**STEP 1.** Let the Oil Plus 2C dry for at least 24 - 36 hours.

**STEP 2.** Thoroughly mix the two SheenPlus components together for 1 to 2 minutes, ensuring a ratio of approximately 3 units A to 1 unit B.

**STEP 3.** Apply a small amount of SheenPlus with a brush and spread it further with a red Scrubby Pad. Within 15 minutes, go over the oiled surface again with the same red scrubby pad without adding additional product, ensuring that the oil is distributed evenly.

**STEP 4.** Finish this area with a white Scrubby Pad until the surface is completely even and rubbed dry.

**STEP 5.** Remove any streaks and/or surface irregularities with a lint-free cloth.

**STEP 6.** Immediately after wiping with the cloth, wipe the oiled surface one more time with the same white pad that was used in STEP 4 (make sure to use the oily side of the pad to do this final step). Wipe the surface in a circular motion and finish wiping the surface in the length of the boards to finish the SheenPlus application.

**STEP 7.** Let dry for at least 24 hours before light use of the surface. To ensure effective drying and curing, it is important to maintain proper ventilation and temperature. Full curing takes place in 7 days.



## Application on floors

**STEP 1.** Let the Oil Plus 2C dry for at least 24 - 36 hours.

**STEP 2.** Thoroughly mix the two SheenPlus components together for 1 to 2 minutes, ensuring a ratio of approximately 3 units A to 1 unit B.

**STEP 3.** Apply a small amount of SheenPlus using a floor buffer with a red buffer pad. Spread the product so that no irregularities can be seen in the treated area. Preferably treat areas of 20 to 40 SF (areas that are not too wide). Make sure you can easily treat the area with the floor buffer without stepping in wet product.

- Tip: If the layout of the area being treated does not allow you to work without standing in the still wet product, use a white pad to stand on during application.

**STEP 4.** Within 15 minutes, finish this area with a white buffer pad until the surface is completely even and rubbed dry.

**STEP 5.** To complete the entire floor, repeat steps 3 and 4.

**STEP 6.** Let dry for at least 24 hours before carefully walking on the surface. To ensure effective drying and curing, it is important to maintain proper ventilation and temperature. Full curing takes place in 7 days.

## **Maintenance Instructions**

### › Renovation/maintenance

If the product starts to show too much wear (traffic pattern), you can resolve this by applying a new coat. First, make sure to remove any dust and dirt prior to applying a maintenance coat. Refer to the steps on pages 2-3 for the proper cleaning and application instructions.

When Oil Plus 2C colour wear is evident, first perform a repair/renovation with the original Oil Plus 2C colour (Part A & B must be used for the colour restoration). After that, let dry for at least 24 - 36 hours. Then, apply SheenPlus to the repaired area and let it dry for 24 hours. After that, apply SheenPlus to the entire floor surface.

## › Tips & tricks

- It is mandatory to add the SheenPlus component B in the correct ratio to the SheenPlus component A.
- It is important to allow a minimum drying time of 24 hours between the application of the Oil Plus 2C and the SheenPlus. To avoid colour pull when applying SheenPlus, allow Oil Plus 2C to completely dry. If you notice excessive colour pull, give the Oil Plus 2C more time to dry before applying SheenPlus.
- When applying SheenPlus to floors on site, it's important to use a floor buffer.
- After applying SheenPlus, the curing process takes 7 days. It is important to only use dry cleaning methods during this period. Afterwards, damp cleaning can be done with Universal Soap, Surface Care Spray or a water dampened mop. We recommend cleaning with a microfiber mop or damp cloth no more than once a week.
- Do not apply too much product to avoid the surface becoming sticky.
- Due to the higher viscosity, we recommend using a red pad for the initial application and spreading of the SheenPlus instead of a white one.
- To ensure optimal results, it is recommended to apply SheenPlus on a surface that has been freshly coated with Oil Plus 2C. Do not allow more than a week to pass. It is crucial to make sure that the surface is unused and clean before applying SheenPlus.
- The product may not be diluted.



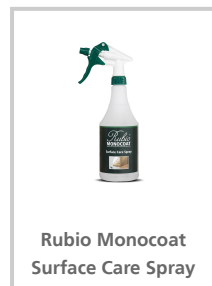
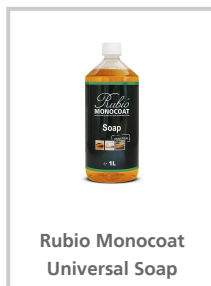
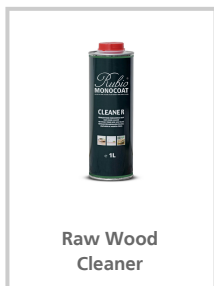
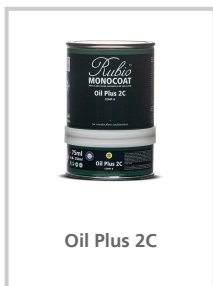
## WARNING

Cloths and other application tools, saturated with oil, may spontaneously combust. After usage, immerse them in water and leave them for a while before disposing of them.

## › Spread rate

Packaging	Approximate spread rate
130 ml	130 - 208 square feet
350 ml	350 - 560 square feet
390 ml	390 - 624 square feet
1,3 L	1,300 - 2,080 square feet

## › Related products



Check the packaging and the safety data sheet for more details.

For our complete assortment of products for the protection and colouring of interior and exterior wood, please visit

[www.rubimonocoatusa.com](http://www.rubimonocoatusa.com)

**LIABILITY:** It is the user's responsibility to establish, through his own tests, whether the product is suitable for the chosen application. In no case can Muylle Facon NV be held liable for any consequential damage. The information above may be subject to changes, which will be published in the updated versions of the technical data sheet. We cannot be held liable for poor results due to causes that are not related to the quality of the product. This technical information has been drawn up based on the currently available information and knowledge. The most recent technical data sheets can be requested or are available on the website. **Date of TDS: 07/09/2023. Check the safety information before using the product.**



# Rubio<sup>®</sup> MONOCOAT

MUYLLE  FACON

**Muylle Facon NV**  
Ambachtenstraat 58  
8870 Izegem (BELGIE)

Tel. +32 (0) 51 30 80 54  
Fax +32 (0) 51 30 99 78  
info@muyllefacon.be

[www.rubimonocoat.com](http://www.rubimonocoat.com)

# ELEVATED INK WORKS VERTICAL PRINTING



### Any Surface



Brick, glass, wood, textured drywall-we can print on it all! As long as there is <1 cm in surface variation we can print!

### Instantly Dry



The ink is vegan, UV resistant, maintaining fantastic color for 12+ years.

### Full Color



From a simple, single-color logo to full-color photograph we can print it all!

<https://www.elevatedinkworks.com/>



[720-673-8174](tel:720-673-8174)

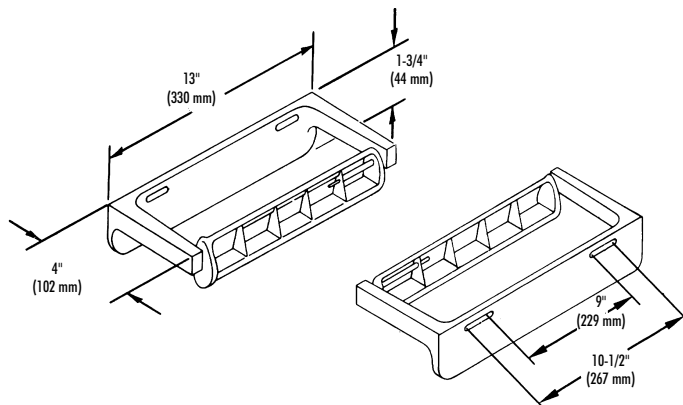


[info@elevatedinkworks.com](mailto:info@elevatedinkworks.com)

## TOWEL DISPENSER

- Surface Mounted
- Roll Paper Towels

**Bradex™**



### CONSTRUCTION:

- **BRACKET** fabricated of die-cast aluminum.
- **SPINDLE** fabricated of die-cast aluminum with stainless steel spring.

### CAPACITY:

One roll standard core paper towels to 6" diameter.

### OPERATION:

Remove tissue roll core to access special locking mechanism for servicing. Stops on spindle control paper delivery. Spindle revolves only 1/2 turn for each dispensing operation and returns to original position.

### INSTALLATION:

Secure to wall with mounting screws (included) at holes provided.

### GUIDE SPECIFICATION:

Surface mounted roll paper towel dispenser shall be die-cast aluminum with satin finish, accommodate one standard core paper towel roll and include a controlled delivery mechanism.

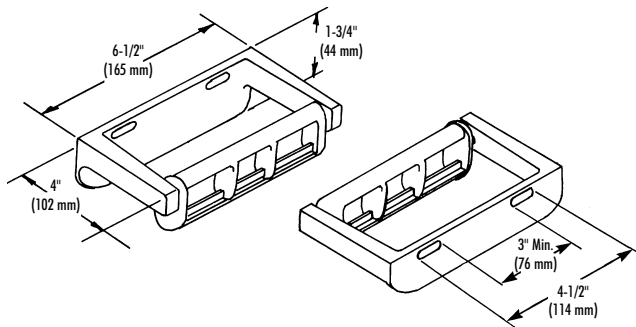
Overall dimensions: 13"W x 1-3/4"H x 4"D.

Surface Mounted Roll Paper Towel Dispenser shall be Bradley Model 259.

## TOILET TISSUE DISPENSER

- Controlled Delivery—Rocking Action
- Single Roll (For Dual Roll See Model 5241)

**Bradex™**



### CONSTRUCTION:

- **BRACKET** fabricated of die cast aluminum.
- **SPINDLE** fabricated of gray polystyrene. Stainless steel spring.

### CAPACITY:

One standard core toilet tissue roll through 5-1/2" in diameter.

### OPERATION:

Remove tissue roll core to access special locking mechanism for servicing. Stops on spindle control paper delivery. Spindle revolves only 1/2 turn for each dispensing operation and returns to original position.

### INSTALLATION:

Secure to wall with mounting screws (included) at holes provided.

### OPTIONAL FEATURES:

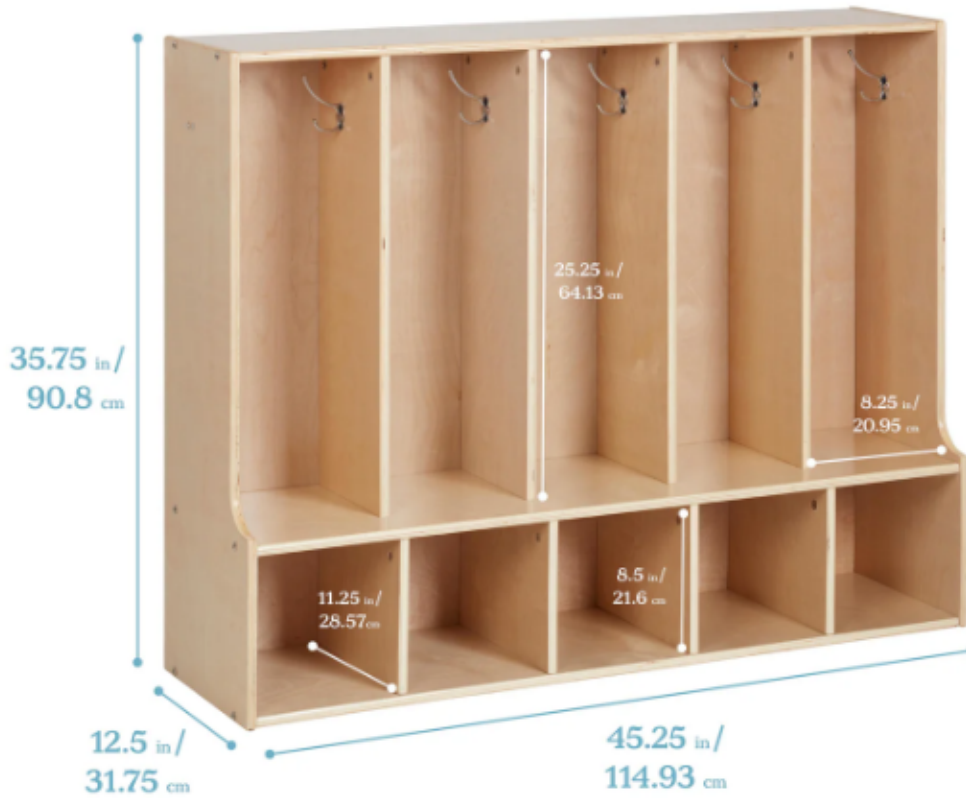
Feature	Suffix
<input type="checkbox"/> Non-controlled delivery	-50

### GUIDE SPECIFICATION:

Surface mounted toilet tissue dispenser shall be die cast aluminum with satin finish and hold one standard core toilet tissue roll. Stops control paper delivery.

Overall dimensions: 6-1/2"W x 1-3/4"H x 4"D.

Surface Mounted Toilet Tissue Dispenser shall be Bradley Model 5071.



Streamline 5-Section Coat Locker with  
Bench and Scoop Front Storage Bins,  
Toddler Size, Natural

Color: Clear



Price: \$264.99

10-04 - Classroom -  
Cubby Wall Cart



### 3-Tier Metal Rolling Utility Cart, Mobile Storage Organizer

ECR4KIDS | SKU: ELR-3043-WH

★★★★★ (0) Write a review



Color: White

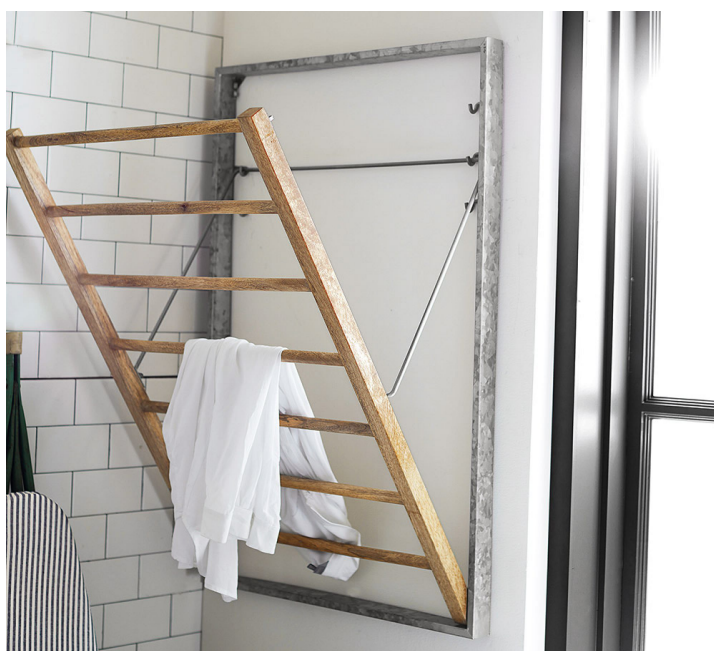


Price: \$74.99



# P O T T E R Y B A R N

## Galvanized Wall-Mount Laundry Drying Rack



**OVERALL:** 23" w x 36.25" l x 1.5" t

**FRAME:** 1.5" w

**DISTANCE BETWEEN RUNGS:** 4"

**WEIGHT:** 9 lbs

### PRODUCT DETAILS

- Made of powder coated mild steel, mango wood and fabric.
- Crafted of mango wood, a sustainably sourced and ultra-durable hardwood.
- Fair Trade Certified™. The purchase of this product helps ensure fair and safe labor practices, improve livelihoods, and empower workers to invest in their communities.
- Mounting hardware included.
- Imported.
- Wipe with a soft, damp cloth.

# POTTERY BARN

## Galvi Modular Wall Rack

### Mounting Instructions

This rack has three (3) holes through which provided mounted hardware passes for wall-mounting

**Max. Load: Maximum total weight capacity for this product is 35 pounds (15.8 Kg).**

**Note: Assembly by two people recommended. Open the box safely and unpack all the included items. Do not discard packing until assembly is completed.**

The hardware included with this item is meant for drywall mounting only. If your wall is made from another material such as concrete or plaster, please consult your local hardware store for assistance in selecting the correct hardware.

**Hardware Included:** (3) Snap-screw, (3) Screws

**Tools Needed:** Phillips Screwdriver, Pencil, Stud-Finder and Leveler.

Step 1: Hold the item upright and level against both walls at a desired mounting location. Use a pencil to mark the wall through each of the three mounting holes. Set the item aside.

Step 2: The provided Snap-screw cannot penetrate wood studs. Therefore we have to determine if any of the three marks of Step (1) happens to align with a wall stud. Use a stud-finder to determine this. If any mark does align with a stud, use a screwdriver to secure a provided screw into the wall at this mark when instructed to do so below.

Step 3: For marks that do not align with a wall stud, use a screwdriver to install a provided Snap-screw into the wall at the mark. Engage the head of the Snap-screw with the screwdriver and position the Snap-screw's tip at the mark. Rotate the Snap-screw clockwise while pushing it firmly into the wall. The Snap-screw will automatically drive itself into the wall. Continue rotating until the wide end of the Snap-screw becomes even with the wall surface. Do not over-tighten.

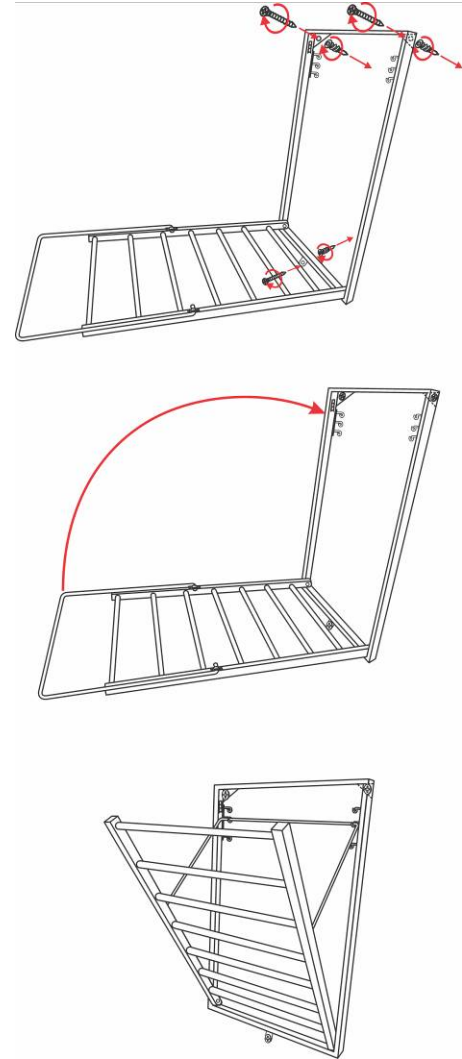
Step 4: Now hang the rack to the wall so that the three holes in the rack align with either installed Snap-screw or a stud. Use a screwdriver to secure a screw through each hole and into the installed Snap-screw or stud. Rotate the screws clockwise until tight.

Step 5: Now, attach hanger on the desired hooks as per illustration.

### Care Instructions:

Wipe with a soft, dry cloth. Do not use any abrasive or chemical household cleaners.

Thank you for your purchase!  
Stores | Catalog | [www.potterybarn.com](http://www.potterybarn.com)



## METAL FARMHOUSE SHELF BRACKET



### Color

Matte Black

### Size

11" Deep x 6" High

Create a warm farmhouse feeling with our minimalist metal L brackets. Each shelf bracket is American made, hand-crafted in Wisconsin's farm country. Soft rounded corners, timeless matte black powder coated finish, and perfectly countersunk holes create a clean classic look you can enjoy for a lifetime.

Color matched mounting hardware is include with each metal shelf bracket; 2 screws for the mounting the bracket, and 2 screws for attaching a wood shelf.

Each bracket has a 6" leg that mounts to the wall and can hold about 75lbs each.

### SPECIFICATIONS

- **Dimensions:** L-bracket is 1/4-inch thick by 1.5" wide
- **Bracket Sizes:** (depth x height) 5.5 x 6 | 7 x 6 | 9 x 6 | 11 x 6
- **Material:** Iron / Metal
- **Capacity:** 75lbs each when properly secured to a wall stud.
- **Iron Finish Options:**
  - Matte Black (powder coated)
  - Raw Steel (unfinished)
- **Pictured:** Farmhouse Metal L Shelf Bracket with Black Finish
- **Indoor/Outdoor Use:** Indoors. However, we do powder coat our brackets (unless you select unfinished) so they have the most durable finish available.

### ADDITIONAL INFO.

- **Product Type:** Shelf Bracket
- **Function:** Support shelving, mantels & more.
- **Style:** Farmhouse / Transitional
- **Country of Manufacture:** USA
- **Eco-Friendly:** Yes
- **Care:** Wipe clean with dry cloth
- **Assembly (none):** Installation is required but the product is one solid piece
- **Included:** Brackets sold individually, 4 wood screws sent with each bracket for mounting.

## 10-07 - Flex Room Shelving w Five Shelves

### Heavy-Duty 2300 lb Shelving w/ Five Shelves (72" H x 48" W x 18" D)

by [Norwood Commercial Furniture®](#) | SKU: NOR-HSR20993



#### Select Options:

1) Select Height: 72" H ▼

2) Select Dimensions: 48" W x 18" D ▼

#### Product Overview

- Constructed of heavy-duty steel and rugged particleboard.
- Boasts a total weight capacity of 2,300 pounds.
- Available in several different sizes.

Description	Specs
Product Weight (Lbs)	66
Assembly	Assembly required
Finish	Rust resistant powder coated paint
Frame Material	Steel
Number of Shelves	4
Other Info	Carb II compliant
Depth	18"
Overall Height	72"
Overall Width	48"
Shelf Material	Steel frame w/ particleboard shelves
Warranty	Lifetime limited
Weight Capacity	2,300 lbs evenly distributed
Shipping Method:	UPS / FedEx

[See less](#)

# 10-08 - Flex Room Storage Cabinet w/Adjustable Shelves

## Heavy-Duty Storage Cabinet w/ Adjustable Shelves (48" W x 18" D x 72" H)

by [Norwood Commercial Furniture®](#) | SKU: NOR-SCU481872ADJ-XX-SO



### Select Options:

1) Select Dimensions: 48" W x 18" x 72"

2) Choose a cabinet color: (16 opti...)



↖ final color to be confirmed by owner and architect if add/alt option is selected

### Product Overview

- Central cabinet brace and shelf stiffeners add superior durability.
- Weight capacity of 180 pounds per shelf.
- Locking handles keep supplies secure.

Description	Specs	Resources & Guides
Product Weight (Lbs)	206	
Assembly	Assembled	
Casters/Glides	4 plastic glides	
Lock Style	2 Die-cast locking handles & 2 keys	
Material	24 gauge American made steel	
Number of Shelves	4 adjustable shelves	
Overall Depth	18" D	
Overall Height	72" H	
Overall Width	48" W	
Shelf Size	48" W x 18" D x 1" H	
Testing Certifications	ANSI/BIFMA certified	
Warranty	5-year limited	
Weight Capacity	230 lbs/shelf, (evenly distributed)	
Shipping Method:	Freight	

[See less](#)



# Z415-BZ1

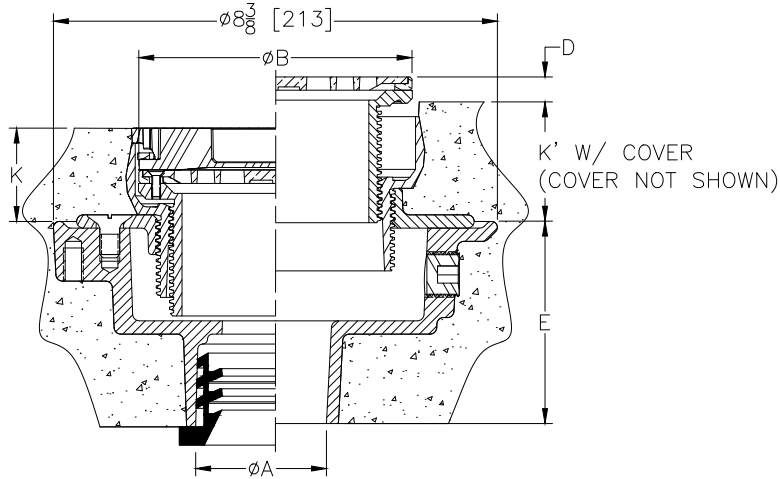
BODY ASSEMBLY W/"TYPE B" STRAINER  
and EZ1™ TECHNOLOGY

## 22-01 - Plumbing Fixtures - Floor Drain

OF SPECIFICATION SHEET

TAG **FD-1**

Design and Dimensional Data (inches and [ mm ]) are Subject to Manufacturing Tolerances and Change Without Notice



Note:  
Minimum K Dimension is only possible with -LR Option when using 6" [152] or 8" [203] Strainer

Dimensions In Inches								Approx. Wt. Lbs. [kg]	Strainer Open Area Sq. In [cm <sup>2</sup> ]
A Pipe Size	B Strainer Dia	D		K		K'			
		Min	Max	Min	Max	Min	Max		
2, 3 [51, 76]	5 [127]	0	1 [25]	1-25/32 [45]	2-31/32 [75]	2-9/32 [58]	3-15/32 [88]	16 [7]	6-1/4 [40]
2, 3, 4 [51, 76, 102]	6 [152]	0	1 [25]	1-13/16 [46]	3 [76]	2-5/16 [59]	3-1/2 [89]	19 [9]	9 [58]
3, 4 [76, 102]	8 [203]	0	31/32 [25]	2-5/32 [55]	3-11/32 [85]	2-21/32 [67]	3-27/32 [98]	24 [11]	20 [129]
6 [152]	8 [203]	0	31/32 [25]	2-5/32 [55]	3-11/32 [85]	2-21/32 [67]	3-27/32 [98]	26 [12]	20 [129]

### ENGINEERING SPECIFICATION:

Zurn Z415-BZ1 floor and shower drain, Dura-coated cast iron body with bottom outlet, combination invertible membrane clamp and adjustable collar with seepage slots and top assembly. EZ1™ drainage series is engineered to simplify product installation, comprised of concrete shield, up to 1" [25] of vertical post pour adjustment, pre-packaged shims for tilt correction and integrated, self-contained "Type B" light duty, heel proof strainer with rough-in cover for protection during concrete pour.

### OPTIONS (Check/specify appropriate options)

#### PIPE SIZE

2, 3, 4 [51, 76, 102]  
2 [51]  
3 [76]  
4 [102]  
6 [152]  
2, 3, 4 [51, 76, 102]  
2, 3, 4 [51, 76, 102]

#### (Specify size/type) OUTLET

\_\_\_ -IC Inside Caulk  
\_\_\_ -IP Threaded  
\_\_\_ -IP Threaded  
\_\_\_ -IP Threaded  
\_\_\_ -IP Threaded  
\_\_\_ -NH No-Hub  
\_\_\_ -NL Neo-Loc

#### 'E' BODY HT. DIM.

4-3/16 [106]  
2-7/16 [62]  
2-3/4 [70]  
2-13/16 [71]  
2-7/8 [73]  
3-13/16 [97]  
3-7/8 [98]

### PREFIXES

\_\_\_ ZB D.C.C.I. Body Assembly w/ Polished Bronze Top  
\_\_\_ ZN D.C.C.I. Body Assembly w/ Polished Nickel Bronze Top\*  
\_\_\_ ZS D.C.C.I. Body Assembly w/ Polished Stainless Steel Top

### SUFFIXES

\_\_\_ -AR Acid Resisting Epoxy Coated Cast Iron  
\_\_\_ -EF 3/4 [19] Extension Frame  
\_\_\_ -G Galvanized Cast Iron  
\_\_\_ -LR Low Rough-In (For 6 [152] and 8 [203] Strainers Only)  
\_\_\_ -P Trap Primer Connection (Specify 1/2\* [13] or 3/4 [19])  
\_\_\_ -SA Stabilizer Assembly for Sub-Floor Install (See Z1035)  
\_\_\_ -SQ Stabilizer Assembly for Steel Decking Install (See Z1035-Q)

\_\_\_ -SR Stabilizer Ring Assembly for On-Grade Install  
\_\_\_ -TC Neo-Loc Test Cap Gasket (2-3-4 [51-76-102] NL Outlet Only)  
\_\_\_ -TSP Trap Seal Protection Device (Size Matches Drain Outlet Selected) (See Z1072)  
\_\_\_ -U 2 - 3-1/4 [51-83] High Post-Pour Extension Adapter  
\_\_\_ -UP 1-3/4 [44] Pre-Pour Adjustment Extension Adapter  
\_\_\_ -VP Vandal-Proof Secured Top  
\_\_\_ -Y Sediment Bucket

\* Regularly furnished unless otherwise specified

**⚠ WARNING:** Cancer and Reproductive Harm - [www.P65Warnings.ca.gov](http://www.P65Warnings.ca.gov)

**⚠ ADVERTENCIA:** Cáncer y daño reproductivo - [www.P65Warnings.ca.gov](http://www.P65Warnings.ca.gov)

**⚠ AVERTISSEMENT:** Cancer et effets néfastes sur la reproduction - [www.P65Warnings.ca.gov](http://www.P65Warnings.ca.gov)

Zurn Industries, LLC | Specification Drainage Operation  
1801 Pittsburgh Avenue, Erie, PA 16502, Ph. 855.663.9876

In Canada | Zurn Industries Limited  
7900 Goreway Drive, Unit 10, Brampton, Ontario L6T 5W6, Ph. 877.892.5216

[www.zurn.com](http://www.zurn.com)

Rev. G  
Date: 01/02/23  
C.N. No. 144898  
Patent [zurn.com/patents](http://zurn.com/patents)  
Prod. | Dwg. No. Z415-BZ1



## STANDARD SERIES

# Badger® 5



### Submittal Sheet

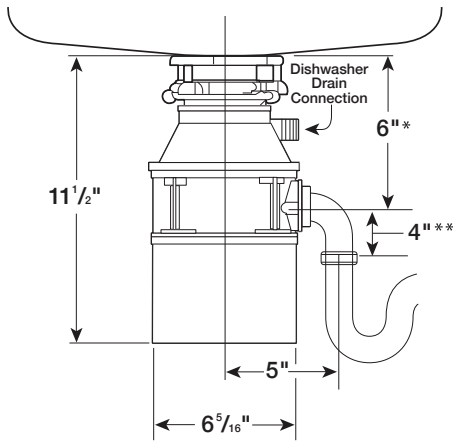
This model offers the following features and benefits:

- **Lift & Latch®** technology for easier sink connection
- 1/2 Horsepower Heavy Duty Motor (Quiet Dura-Drive® Induction Motor)
- **We Come To You®** 3-Year In-Home Limited Warranty
- Rugged Galvanized Steel Construction (For Disposer Durability)
- Space-Saving Compact Design
- Available with or without a factory installed power cord.

### Specifications

Type of Feed	Continuous
On/Off Control	Wall Switch
Motor	Single Phase
HP	1/2
Volts	120
HZ	60
RPM	1725
Amp. (Avg. Load)	6.3
Time Rating	Intermittent
Lubrication	Permanently Lubricated Upper & Lower Bearings
Shipping Weight (Approx.)	13 lbs. 10 oz. (without cord) 13 lbs. 14 oz. (with cord)
Overall Height	11-1/2"
Grind Chamber Capacity	26 oz.
Motor Protection	Manual Reset Overload
Average Water Usage	Approx. 1 Gallon per Person Per Day
Average Electrical Usage	3-4 kWh per Year
Drain Connection	1-1/2" Cushioned Slip Joint
Dishwasher Drain Connection	Yes
Factory Installed Power Cord	Available with or without

### Dimensions



\* Distance from bottom of sink to center line of disposer outlet. Add 1/2" when stainless steel sinks are used.

\*\* Length of tailpipe from center line of disposer outlet to end of tailpipe. NOTE: Plumb waste line to prevent standing water in disposer motor housing.

### Sample Specification

Food Waste Disposer(s) shall be InSinkErator Badger® 5, continuous feed, with 1/2 HP. motor, stainless steel grinding elements with two stainless steel 360° swivel lugs. Exclusive self-service wrench.

### Warranty

3-Year **We Come to You®** Limited In Home Warranty

\* The complete InSinkErator warranty is included in the Care & Use Booklet packed with each unit.

### Job Specifications



1-800-558-5700  
www.insinkerator.com



Food waste is roughly 80% water. By using your disposal regularly, you can help divert food waste from landfills and reduce greenhouse gas emissions. Make sustainability a family affair by using your disposal. After all, the smallest changes can make the biggest impact.





4700 W. 160th St.  
Cleveland, Ohio 44135  
Ph: (800) 321-9532  
Fax: (800) 321-9535  
www.oatey.com

**22-03 - Plumbing Fixtures - Ice Maker  
Outlet Box**

**Ice Maker Outlet Boxes**



**SUBMITTAL SPECIFICATION**

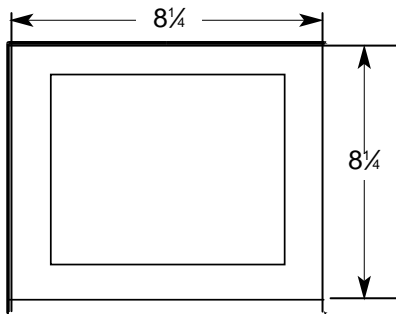
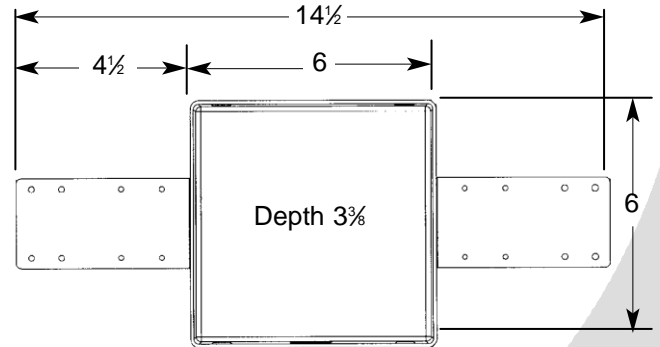
**Engineering Specification:** Oatey Ice Maker boxes can be used in commercial or residential applications which require supply valves recessed into the wall. Available water hammer arrestor option provides water pressure shock arrestors required for installation on supply lines to quick closing valves.

Job Reference

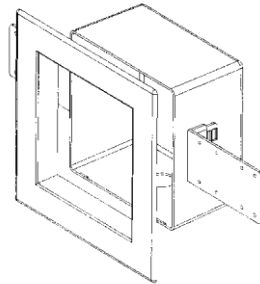
**IMB-1**



Front View



Faceplate



(All dimensions in inches)

- Provides quick, safe water supply and shut-off for refrigerator ice maker and water dispenser
- Box made of high impact polystyrene
- 2 support brackets
- Snap-on faceplate frame accommodates up to 1" drywall
- Valves comply with requirements of NSF 61, Section 9

✓	Prod. No	Description
	38574	1/4 Turn Brass Ball Valve - Copper Sweat - Standard Pack w/6' Stainless Steel Hose
	38570	1/4 Turn Brass Hammer Ball Valve - Copper Sweat - w/6' Stainless Steel Hose
	38575	1/4 Turn Brass Ball Valve - 1/2" ASTM F1807 PEX- Standard Pack
	38572	1/4 Turn Brass Hammer Ball Valve - 1/2" ASTM F1807 PEX- Standard Pack
	38578	1/4 Turn Brass Hammer Ball Valve - ASTM F1807 PEX
	38579	1/4 Turn Brass Hammer Ball Valve - 3/8" PEX
	38602	1/4 Turn Brass Hammer Ball Valve - CPVC - Standard Pack (6 per)
	38604	1/4 Turn Brass Hammer Ball Valve - ASTM F1807 PEX - Standard Pack (6 per)
	38605	1/4 Turn Brass Hammer Ball Valve - ASTM F1960 - Standard Pack (6 per)
	38607	1/4 Turn Brass Hammer Ball Valve - Copper Sweat - Display Pack (6 per)
	38608	1/4 Turn Brass Hammer Ball Valve - Copper Sweat - Standard Pack (6 per)
	38623	1/4 Turn Brass Ball Valve - CPVC - Standard Pack w/6' Stainless Steel Hose
	38624	1/4 Turn Brass Ball Valve - ASTM F1960 PEX - w/6' Stainless Steel Hose
	38571	1/4 Turn Brass Hammer Ball Valve - CPVC - Standard Pack w/6' Stainless Steel Hose
	38680	1/4 Turn Brass Ball Valve - CPVC - Standard Pack (6 per)
	38681	1/4 Turn Brass Ball Valve - Copper Sweat - Standard Pack (6 per)
	38683	1/4 Turn Brass Ball Valve - Copper Sweat - Contractor Pack (12 per)
	38684	1/4 Turn Brass Ball Valve - ASTM F1807 PEX - Standard Pack (6 per)
	38685	1/4 Turn Brass Ball Valve - CPVC - Contractor Pack (12 per)
	38690	1/4 Turn Brass Ball Valve - Copper Sweat - No Faceplate - Tract Pack (6 per)
	38691	1/4 Turn Brass Ball Valve - ASTM F1807 PEX - Contractor Pack (12 per)
	38692	1/4 Turn Brass Ball Valve - ASTM F1974 PEX - Standard Pack (6 per)
	38693	1/4 Turn Brass Ball Valve - ASTM F1960 PEX - Standard Pack (6 per)
	38739	Boiler Drain Valve - Copper Sweat - Contractor Pack (12 per)
	38805	Plain Box - No Valve - No Hole - Standard Pack (6 per)
	38806	Plain Box - No Valve - No Hole - Standard Pack - With Grommet (6 per)
	38807	North American Boiler Drain Valve - Copper Sweat - Standard Pack (6 per)
	38808	1/4 Turn Brass Ball Valve - Copper Sweat - Display Bag
	38810	Plain Box - No Valve - Standard Pack (6 per)
	38812	Plain Box - No Valve - No Faceplate - Tract Pack (6 per)
	38823	1/4 Turn Brass Ball Valve - Copper Sweat - Display Box
	38950	1/4 Turn Brass Ball Valve - ASTM F1807 PEX - Display Bag
	38951	Boiler Drain Valve - CPVC - Standard Pack (6 per)

Valves meet ASME A112.18.1 Water Ham  
Data is subject to manufacturing tolerances.



✓	Prod. No	Description
	38952	FlowGuard Gold ALL-CPVC Valve - CPVC – Standard Pack
	39142	1/4 Turn Brass Hammer Ball Valve Low Lead - Copper Sweat - w/6' Stainless Steel Hose
	39143	1/4 Turn Brass Hammer Ball Valve Low Lead – CPVC - w/6' Stainless Steel Hose
	39144	1/4 Turn Brass Hammer Ball Valve Low Lead-1/2" ASTM F1807 PEX-w/6' Stainless Steel Hose
	39145	1/4 Turn Brass Valve Low Lead - Copper Sweat - w/6' Stainless Steel Hose
	39146	1/4 Turn Brass Valve Low Lead - 1/2" ASTM F1807 PEX - w/6' Stainless Steel Hose
	39147	1/4 Turn Brass Hammer Ball Valve Low Lead - 3/8 ASTM F1807 PEX- Standard Pack
	39148	1/4 Turn Brass Hammer Ball Valve Low Lead - CPVC - Standard
	39149	1/4 Turn Brass Hammer Ball Valve Low Lead - 1/2" ASTM F1807 PEX - Standard Pack
	39150	1/4 Turn Brass Hammer Ball Valve Low Lead - 1/2" ASTM F1960 PEX - Standard Pack
	39151	1/4 Turn Brass Hammer Ball Valve Low Lead - Copper Sweat – Display Box
	39152	1/4 Turn Brass Hammer Ball Valve Low Lead - Copper Sweat – Standard Pack
	39153	1/4 Turn Brass Ball Valve Low Lead - CPVC - w/6' Stainless Steel Hose
	39154	1/4 Turn Brass Ball Valve Low Lead - 1/2" ASTM F1960 PEX - w/6' Stainless Steel Hose
	39155	1/4 Turn Brass Ball Valve Low Lead - CPVC - Standard Pack
	39156	1/4 Turn Brass Ball Valve Low Lead - Copper Sweat - Standard Pack
	39157	1/4 Turn Brass Ball Valve Low Lead - Copper Sweat - Contractor Pack
	39158	1/4 Turn Brass Ball Valve Low Lead - 1/2" ASTM F1807 PEX - Standard Pack
	39160	1/4 Turn Brass Ball Valve Low Lead - 1/2" ASTM F1807 PEX - Contractor Pack
	39161	1/4 Turn Brass Ball Valve Low Lead - 1/2" ASTM F1960 PEX - Standard Pack
	39162	North America Brass Boiler Drain Valve Low Lead - Copper Sweat - Standard Pack
	39259	1/4 Turn Brass Ball Valve - CPVC - Contractor Pack
	385961	Square ¼ Turn F1960 – Standard Pack, 6' SS Hose
	39159	Square ¼ Turn CPVC Low Lead – Contractor Pack
	38942	Square, Plastic Faceplate
	38768	Brackets 4" Long Plastic
	38648	Brackets 12" Long Plastic

**KOHLER**<sup>®</sup>**Brenham**<sup>™</sup>Wall-Mount Bathroom Lavatory  
**K-1997-1**

LV-1

**Features**

- Single faucet hole.
- Oval basin.
- Overflow drain.
- Includes wall hanger.

**Material**

- Vitreous china.

**Installation**

- Wall-mount.
- Drilled for concealed arm carrier installation.

**Recommended Products/Accessories**

K-23726 Drain treatment  
K-23725 Cast iron cleaner

**Optional Products/Accessories**

K-8998 P-Trap  
K-1998 Shroud

**Included Components**

Additional Components:  
Hanger(s) (Qty 2)



ADA

CSA B651

OBC

**Codes/Standards**

ASME A112.19.2/CSA B45.1  
ADA  
ICC/ANSI A117.1  
CSA B651  
OBC




**KOHLER<sup>®</sup> One-Year Limited Warranty**

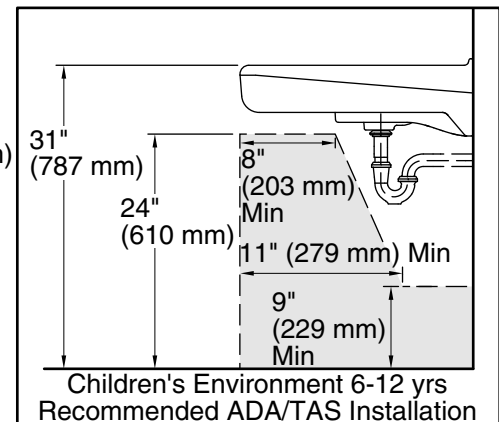
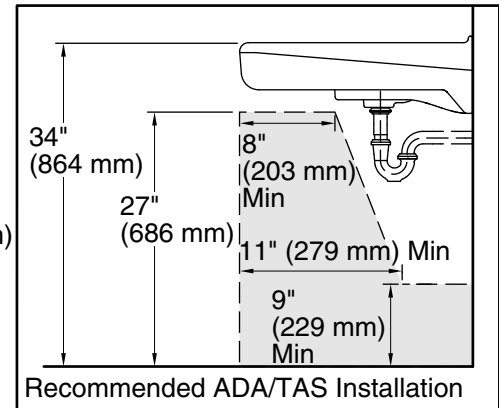
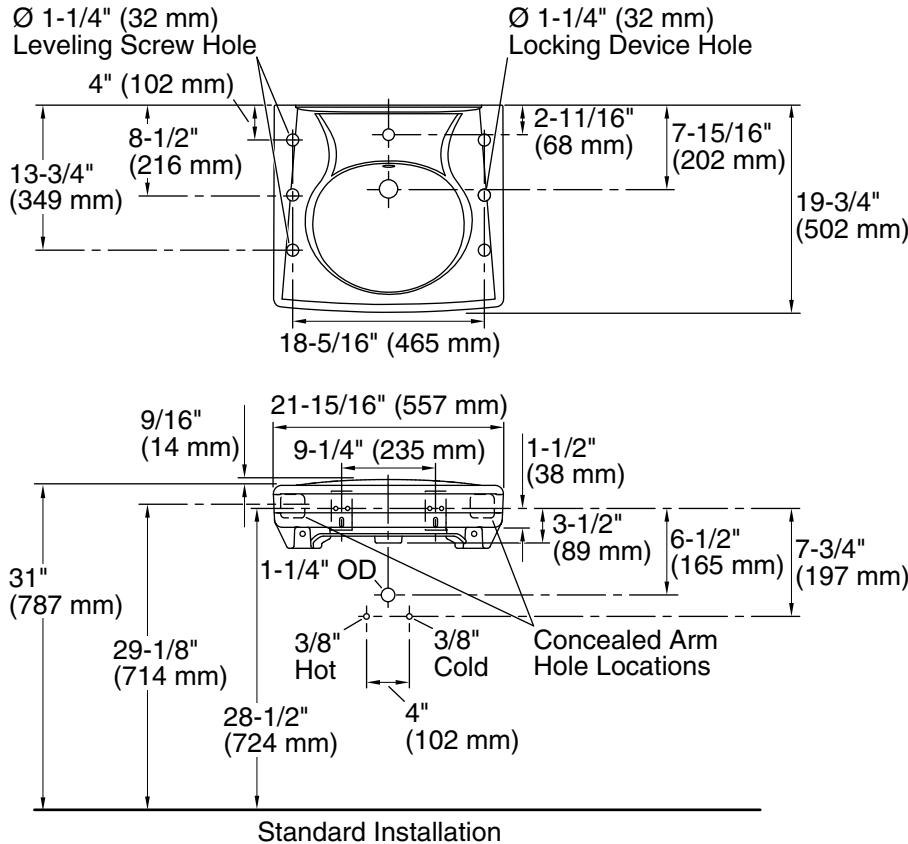
See website for detailed warranty information.

**Available Colors/Finishes**

*Color tiles intended for reference only.*

**Color Code Description**

Color	Code	Description
	0	White
	96	Biscuit
	7	Black Black <sup>™</sup>



### Technical Information

All product dimensions are nominal.

- Bowl configuration: Single
- Installation: Wall-mount
- Bowl area (Only): Length:  $14\text{-}3/8\text{'' (365 mm)}$   
Width:  $12\text{-}5/16\text{'' (313 mm)}$   
With overflow: Yes  
Water depth:  $3\text{-}1/4\text{'' (83 mm)}$
- Number of deck holes: 1
- Faucet hole(s):  $1\text{-}3/8\text{'' (35 mm)}$
- Drain hole:  $1\text{-}3/4\text{'' (44 mm)}$

### Notes

- Install this product according to the installation instructions.
- ADA, OBC, CSA B651 compliant when installed to the specific requirements of these regulations.

SPEC



PFWSC6857

**ALVORD SINGLE HANDLE  
LAVATORY FAUCET**

LV-1

**Product Features**

- Ceramic disc cartridge
- Metal handle
- With brass pop-up
- Single hole or 4" center installation with optional deck plate (included)
- Brass construction
- Flow rate: 1.2 gpm at 60 psi
- ADA compliant
- Certified to ASME A112.18.1 / CSA B125.1
- cUPC/IAPMO listed
- Watersense certified
- NSF/ANSI/CAN61: Q ≤ 1

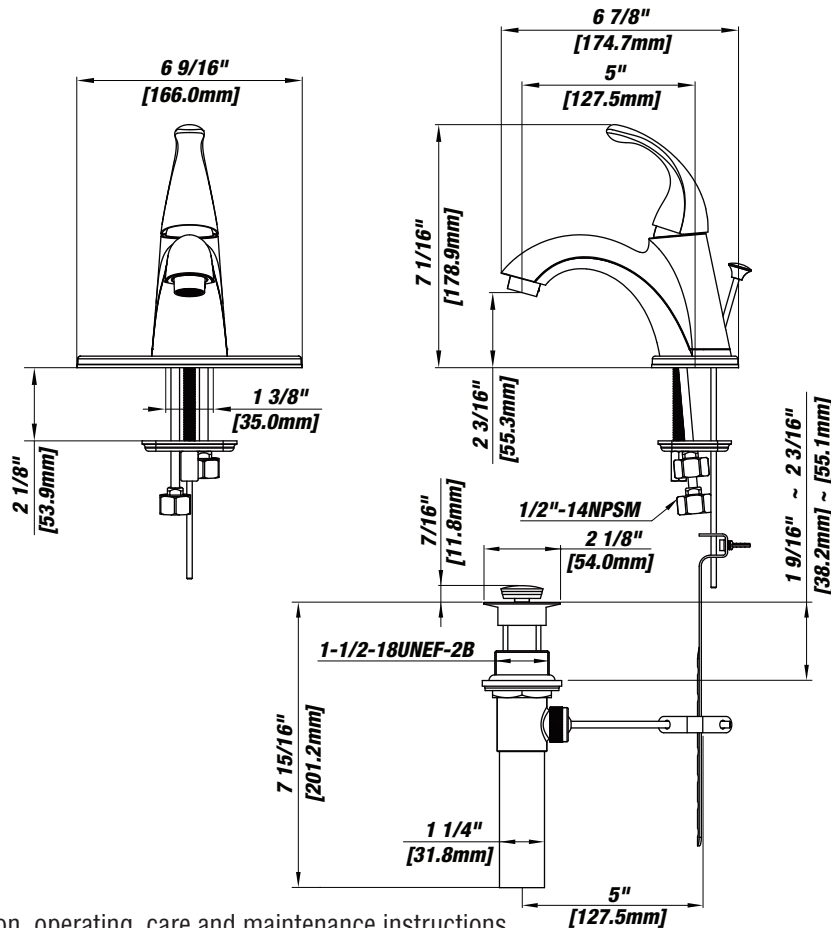


PFWSC6857CP

**Model Numbers**

PFWSC6857CP Chrome

PFWSC6857ZBN Brushed nickel



**Warranty and Codes**

This product comes complete with installation, operating, care and maintenance instructions. This PROFLO faucet carries a limited lifetime warranty when installed in residential applications. The warranty is five years in commercial applications.

\*Compliant with lead content requirements of California AB1953



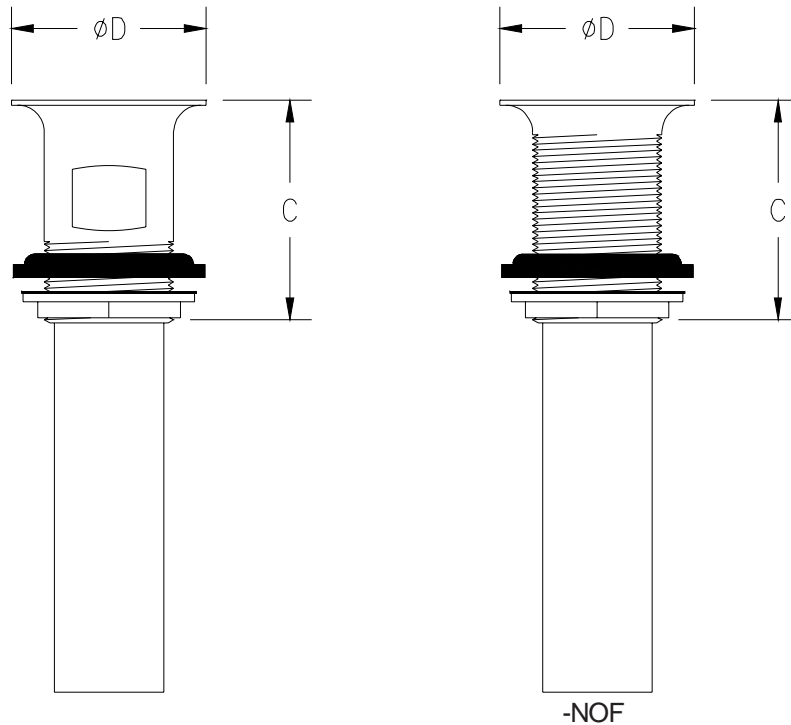


# SOLID TOP, OPEN-GRID P.O. PLUGS

## Z8743-PC

TAG LV-1

**Engineering Specification:** Zurn Z8743-PC – Chrome plated cast brass solid top, open grid, P.O. plug. Furnished with 5"[127mm] long, chrome plated brass 17 gauge tailpiece and chrome plated cast brass locknut for sink depth up to 2 1/4"[57mm]. 6"-, 8"-, and 12"- tailpieces available.



Note: All dimensions are for reference only. Do not use for pre-plumbing

PRODUCT NUMBER	TAILPIECE in[mm]	DIMENSIONS		MASTER CARTON	WEIGHT CARTON
		Cin[mm]	ØDin[mm]		
Z8743-PC	1 1/4[32]	2 9/16[65]	2 1/4[57]	50	50
Z8743-1-PC	1 1/2[38]	2 9/16[65]	2 1/4[57]	30	30

### OPTIONAL ACCESSORIES

Suffix	Description
—	-NOF No Overflow
—6	w/6"[152mm] Tailpiece
—8	w/8"[203mm] Tailpiece
—12	w/12"[305mm] Tailpiece

ZURN INDUSTRIES, LLC ♦ COMMERCIAL BRASS OPERATION ♦ 2640 SOUTH WORK STREET ♦ FALCONER NY 14733  
Phone: 1-716-665-1132 ♦ Fax: 1-716-665-1135 ♦ World Wide Web: [www.zurn.com](http://www.zurn.com)

In Canada: ZURN INDUSTRIES LIMITED ♦ 3544 Nashua Drive ♦ Mississauga, Ontario L4V1L2 ♦ Phone: 905/405-8272 Fax: 905/405-1292

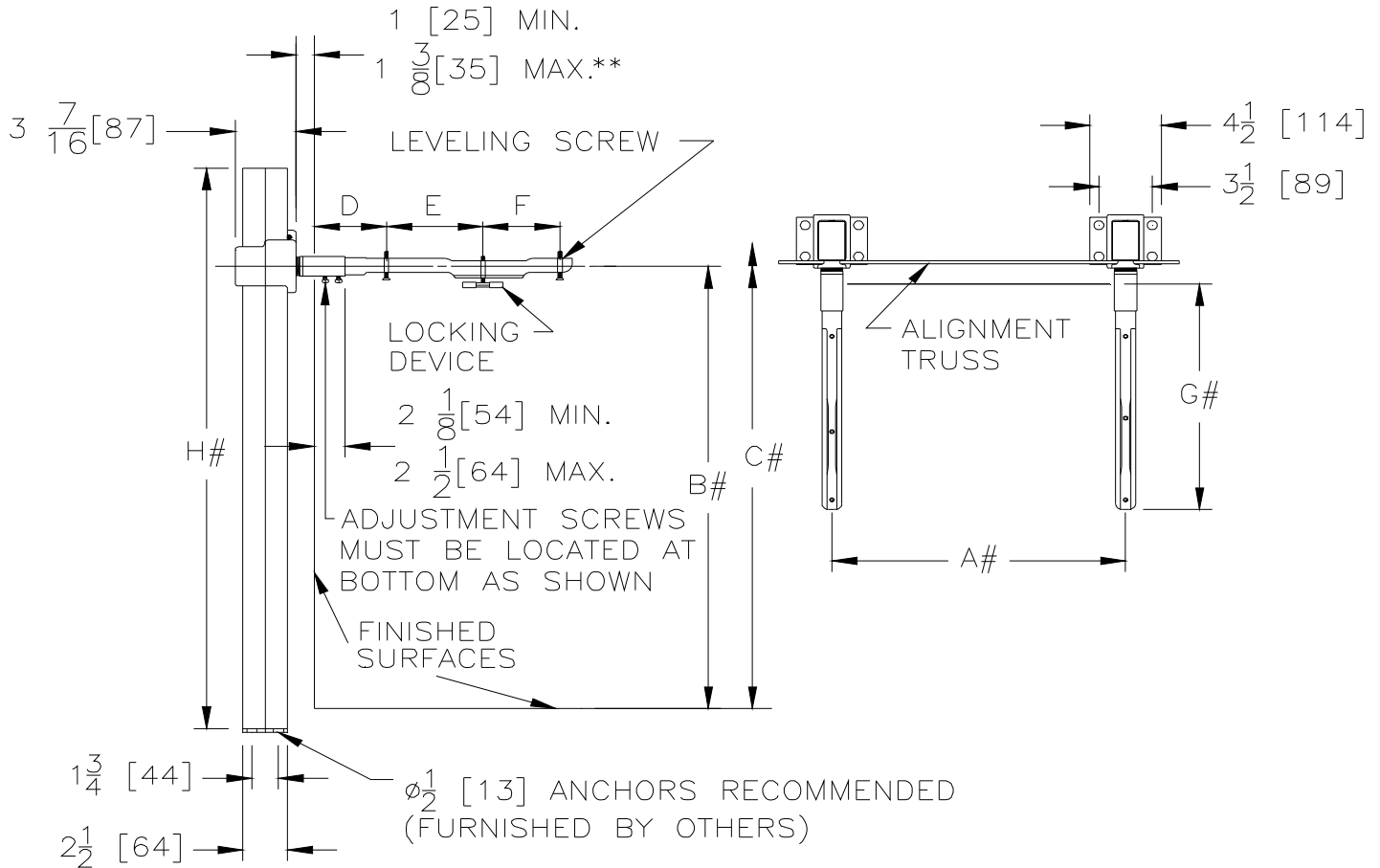


**Z1231**  
**CONCEALED ARM SYSTEM**  
**WALL LAVATORIES**

SPECIFICATION SHEET

TAG **LV-1**

Dimensional Data (inches and [ mm ]) are Subject to Manufacturing Tolerances and Change Without Notice



NOTES:

# REFER TO ROUGH-IN GUIDE OF SPECIFIC FIXTURE FOR DIMENSION

\*\* WITH STANDARD SLEEVE LENGTH OF 4 [102]

Product No.	Approx. Wt. Lbs. [kg]
Z1231	45 [20]

**ENGINEERING SPECIFICATION: ZURN Z1231**

Lavatory support system with concealed arms. Complete with Dura-Coated rectangular steel uprights with welded feet, cast iron adjustable headers, concealed arms, steel sleeves, alignment truss, and mounting fasteners.

**OPTIONS** (Check/specify appropriate options)

**PREFIXES**

\_\_\_ Z Dura-Coated System with Concealed Arms\*

**SUFFIXES**

- \_\_\_ -AL Adapter Lug
- \_\_\_ -CB Carrier Bank
- \_\_\_ -D Back to Back System
- \_\_\_ -E2 Concealed Arm Escutcheons 2 [51] Long
- \_\_\_ -SL Sleeve Length Over 4 [102] (Specify Length)
- \_\_\_ -WS Wall Support Valve Plate (Specify Knee or Foot action, Valve Name, and Number)
- \_\_\_ -79 ADA Rough-in

\* Regularly furnished unless otherwise specified.



# Model ZW3870XLT

## Aqua-Gard® Thermostatic Mixing Valve

LV-1

### Application

Ideal for use where Lead Free\* valves are required. The Zurn Wilkins Model ZW3870XLT Aqua-Gard® Thermostatic mixing valve is designed to be installed at the point of use under sinks and sensor faucets to assist in the prevention of scalding. The valves rapid response and precise temperature control meet the stringent standards of ASSE 1070 listed for fixtures, sinks, lavatories or bathtubs. The ZW3870XLT will mix hot and cold water from the distribution system to a final safer temperature outlet range of 95-115F (35-46C). The 3/8" compression fittings make this valve ideal for residential and commercial applications. With a minimum flow rating of 0.06 GPM the valve will provide proper scald protection when used in conjunction with ultra low flow faucet aerators.

### Standards Compliance

- ASSE® Listed 1070
- cUPC® Listed
- CSA® Certified B125.70
- Meets the requirements of NSF/ANSI/CAN 61-9 Qs1\* (0.25% MAX. WEIGHTED AVERAGE LEAD CONTENT)

### Features

Sizes: 3/8"  
 Chrome Plated  
 Outlet Temp. Range 95-115°F(35-46°C)  
 Temperature Hot Supply 120-195°F max. (49-90.5°C)  
 Temperature Cold Supply 40-75°F(4.4-23.8°C)  
 Set Temperature Accuracy +/- 3°F(1.78°C)  
 Max. Working Pressure (inlet) 145 psi  
 Temperature must be field set  
 Max. Pressure Differential is 15 psi between Hot & Cold inlets  
 Flow rate @ 45 psi pressure loss 3.10 gpm  
 Min. Flow Rate 0.06 gpm  
 Integral check valves and strainer screen on hot and cold supply

ZW3870XLT 3 PORT (1 Hot in, 1 Cold in, 1 Mixed out)  
 ZW3870XLT-4P 4 PORT (1 Hot in, 1 Cold in, 1 Cold out, 1 Mixed out.)



XL LEAD FREE

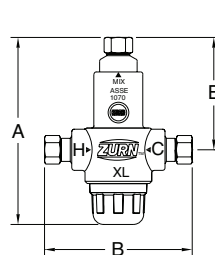


NSF/ANSI/CAN 61-9 Qs1

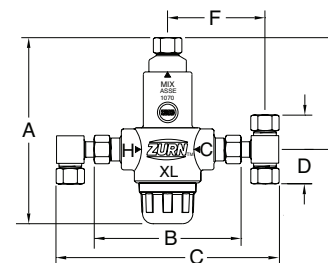


### Materials

Body Low Lead Cast Bronze ASTM B 584 w/Chrome Plating  
 Internal brass ASTM B 456 Service Condition #2  
 Low Lead Brass, ASTM B 927 UNS C27450  
 Piston Polysufone  
 Guide Tube Noryl GFN2  
 Spring 300 Series Stainless Steel  
 Seals Viton  
 Checks Acetal Co-Polymer



ZW3870XLT

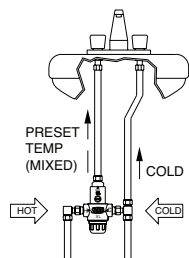
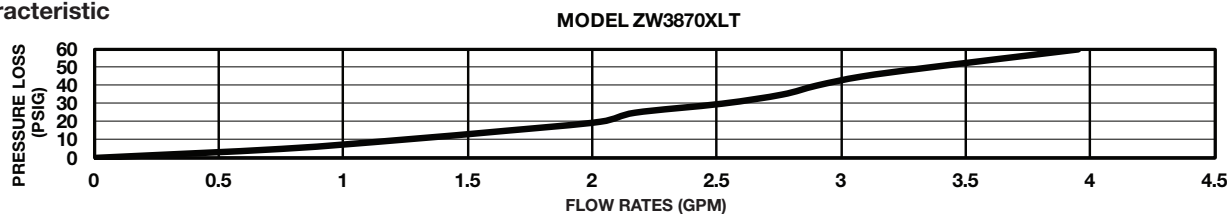


ZW3870XLT-4P

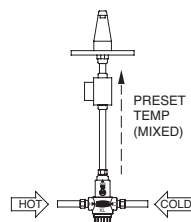
### Dimensions & Weights (do not include pkg.)

MODEL	SIZE		DIMENSIONS (approximate)												WEIGHT	
			A		B		C		D		E		F			
	in.	mm	in.	mm	in.	mm	in.	mm	in.	mm	in.	mm	in.	mm	lbs.	kg.
ZW3870XLT	3/8	9.5	4 27/32	123	4 3/16	106.3	5 55/64	149	2 1/32	52	2 27/32	72.2	2 1/2	64	1.2	.6

### Flow Characteristic



INDIVIDUAL USE  
 ZW3870XLT-4P



SINGLE USE  
 ZW3870XLT

### Piping Instructions

The device is designed to be installed at a single outlet. It may be used to supply individual outlets when there is sufficient supply pressure. It is suggested to use ball valves on the hot and cold inlet supplies.

**22-09 - Plumbing Fixtures-  
Handwash Sink**

**SK-1**

**PRODUCT SPECIFICATIONS**

Crosstown<sup>®</sup> 18 Gauge Stainless Steel 22-1/2" x 18-1/2" x 9" Single Bowl Undermount Sink. Sink is handmade/fabricated from 18 gauge 304 Stainless Steel with a Polished Satin finish, Rear Center drain placement, and Full spray sides and bottom with Sides and Bottom pads.

<b>Installation Type:</b>	Undermount
<b>Material:</b>	304 Stainless Steel
<b>Finish:</b>	Polished Satin
<b>Gauge:</b>	18
<b>Sound Deadening:</b>	Full spray sides and bottom with Sides and Bottom pads
<b>Number of Bowls:</b>	1
<b>Sink Dimensions:</b>	22-1/2" x 18-1/2" x 9"
<b>Bowl 1 Dimensions:</b>	21" x 17" x 9"
<b>Drain Size:</b>	3-1/2" (89mm)
<b>Drain Location:</b>	Rear Center
<b>Minimum Cabinet Size:</b>	27"
<b>Mounting Hardware:</b>	Part # 54300008 included
<b>Template Included:</b>	Yes
<b>Cutout Template #:</b>	<a href="#">1000003457</a>

Template is available for download at [elkay.com](http://elkay.com). CAD software will be required to open the template.

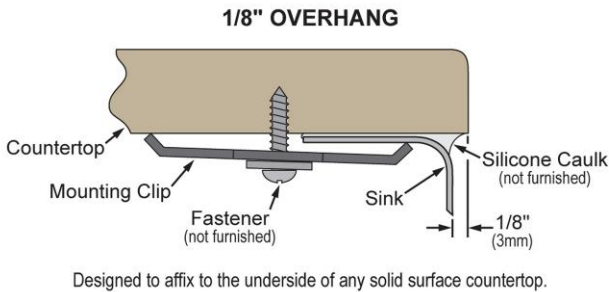


A Century of Tradition and Quality. For more than 100 years, Elkay has been making innovative products and providing exceptional customer care. We take pride in offering plumbing products that make life easier, inspire change and leave the world a better place.



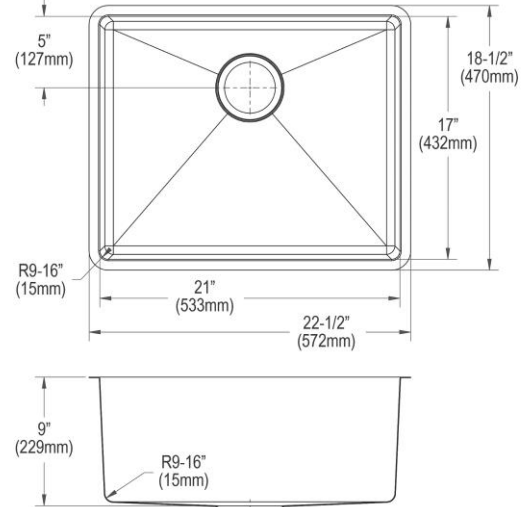
**Product Compliance:** ASME A112.19.3/CSA B45.4

**Installation Profile:**



Sinks are listed by IAPMO<sup>®</sup> as meeting the applicable requirements of the Uniform Plumbing Code<sup>®</sup>, International Plumbing Code<sup>®</sup>, and National Plumbing Code of Canada.







[Clean and Care Manual \(PDF\)](#)  
[Installation Instructions \(PDF\) - 1000005239](#)  
[Warranty \(PDF\)](#)



PART: \_\_\_\_\_ QTY: \_\_\_\_\_  
 PROJECT: \_\_\_\_\_  
 CONTACT: \_\_\_\_\_  
 DATE: \_\_\_\_\_  
 NOTES: \_\_\_\_\_  
 APPROVAL: \_\_\_\_\_

In keeping with our policy of continuing product improvement, Elkay reserves the right to change product specifications without notice. Please visit [elkay.com](http://elkay.com) for the most current version of Elkay product specification sheets. This specification describes an Elkay product with design, quality, and functional benefits to the user. When making a comparison of other producers' offerings, be certain these features are not overlooked. Latest version of the spec sheet available: [https://www.elkayfiles.com/spec-sheets/ECTRU21179T\\_spec.pdf](https://www.elkayfiles.com/spec-sheets/ECTRU21179T_spec.pdf)



Optional Accessories		
<a href="#">CTXBG1915</a>	Crosstown <sup>®</sup> Stainless Steel 19-1/2" x 15-1/2" x 1-1/4" Bottom Grid <a href="#">Spec Sheet (PDF)</a>	
<a href="#">LK35</a>	3-1/2" Drain Fitting Type 304 Stainless Steel Body Strainer Basket and Tailpiece <a href="#">Spec Sheet (PDF)</a>	
<a href="#">LKDD</a>	3-1/2" Drain Fitting Deep Strainer Basket <a href="#">Spec Sheet (PDF)</a>	
<a href="#">LK3000CR</a>	Everyday Kitchen Deck Mount Faucet with Remote Lever Handle Chrome <a href="#">Spec Sheet (PDF)</a>	
<a href="#">LK3001CR</a>	Everyday Kitchen Deck Mount Faucet with Remote Lever Handle and Side Spray Chrome <a href="#">Spec Sheet (PDF)</a>	
<a href="#">LK5000</a>	Everyday Single Hole Deck Mount Kitchen Faucet with Pull-out Spray Lever Handle + Optional Escutcheon <a href="#">Spec Sheet (PDF)</a>	

*In keeping with our policy of continuing product improvement, Elkay reserves the right to change product specifications without notice. Please visit [elkay.com](http://elkay.com) for the most current version of Elkay product specification sheets. This specification describes an Elkay product with design, quality, and functional benefits to the user. When making a comparison of other producers' offerings, be certain these features are not overlooked. Latest version of the spec sheet available: [https://www.elkayfiles.com/spec-sheets/ECTRU21179T\\_spec.pdf](https://www.elkayfiles.com/spec-sheets/ECTRU21179T_spec.pdf)*

**PRODUCT SPECIFICATIONS**

4" Centerset with Exposed Deck Faucet with 5" Gooseneck Spout 4" Wristblade Handles Chrome. Faucet has a flow rate of 1.5 GPM, and is made of Chrome-plated Brass material, with a Quarter Turn Ceramic Disc valve. Faucet requires 2 faucet holes.

SK-1



<b>Mounting Type:</b>	Deck Mount
<b>Special Features:</b>	Low Flow Solid Brass Construction Spout Swing Restriction Pin
<b>Finish:</b>	Chrome (CR)
<b>Handle Type:</b>	4" Wristblade Handle
<b>Deck Clearance:</b>	1-1/2"
<b>Spout Reach:</b>	5-3/8"
<b>Spout Height:</b>	7-15/16"
<b>Hole Drillings:</b>	2
<b>Material:</b>	Chrome-plated Brass
<b>Valve Type:</b>	Quarter Turn Ceramic Disc
<b>Valve Connection:</b>	1/2"-14 NPSM
<b>Flow Rate:</b>	1.5 GPM
<b>Faucet Hole Size (min):</b>	1-3/8"
<b>Faucet Hole Spread:</b>	4
<b>Countertop Thickness:</b>	1-1/4
<b>Spout Type:</b>	Gooseneck

**Special Note:** 1.5 GPM flow regulator installed (2.2 GPM flow regulator also included with faucet)



A Century of Tradition and Quality. For more than 100 years, Elkay has been making innovative products and providing exceptional customer care. We take pride in offering plumbing products that make life easier, inspire change and leave the world a better place.

**Product Compliance:** ADA & ICC A117.1  
ASME A112.18.1/CSA B125.1  
CEC  
NSF 372 (lead free)  
NSF 61 (Q≤1)

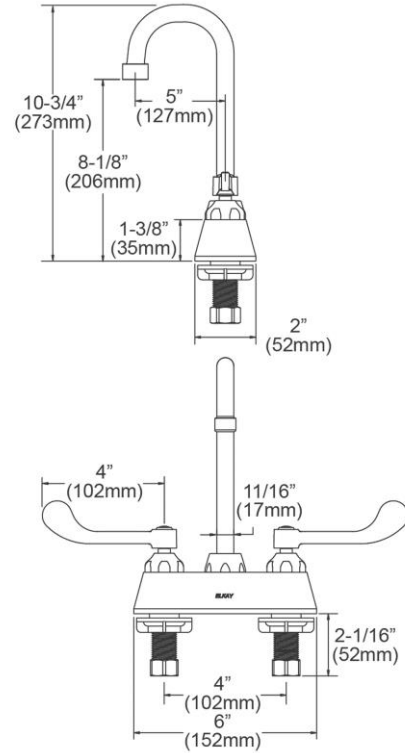


Complies with ADA & ICC A117.1 accessibility requirements when installed according to the requirements outlined in these standards.

[Clean and Care Manual \(PDF\)](#)  
[Installation Instructions \(PDF\) - A55483](#)  
[Warranty \(PDF\)](#)

PART: \_\_\_\_\_ QTY: \_\_\_\_\_  
PROJECT: \_\_\_\_\_  
CONTACT: \_\_\_\_\_  
DATE: \_\_\_\_\_  
NOTES: \_\_\_\_\_  
APPROVAL: \_\_\_\_\_

*In keeping with our policy of continuing product improvement, Elkay reserves the right to change product specifications without notice. Please visit [elkay.com](http://elkay.com) for the most current version of Elkay product specification sheets. This specification describes an Elkay product with design, quality, and functional benefits to the user. When making a comparison of other producers' offerings, be certain these features are not overlooked.*



*In keeping with our policy of continuing product improvement, Elkay reserves the right to change product specifications without notice. Please visit [elkay.com](http://elkay.com) for the most current version of Elkay product specification sheets. This specification describes an Elkay product with design, quality, and functional benefits to the user. When making a comparison of other producers' offerings, be certain these features are not overlooked.*

**Features**

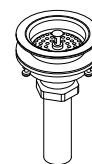
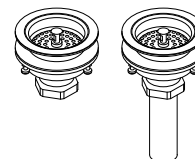
- Removable basket strainer with open/close stopper
- Tailpiece included
- Quick-locking installation system
- For sink installations with 3-1/2" (89 mm) or 4" (102 mm) outlet

**Material**

- Solid-brass construction for durability and reliability

**Recommended Products/Accessories**

- K-23726 Drain treatment
- K-23723 Faucet cleaner



**Codes/Standards**







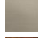
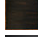

ASME A112.18.2/CSA B125.2

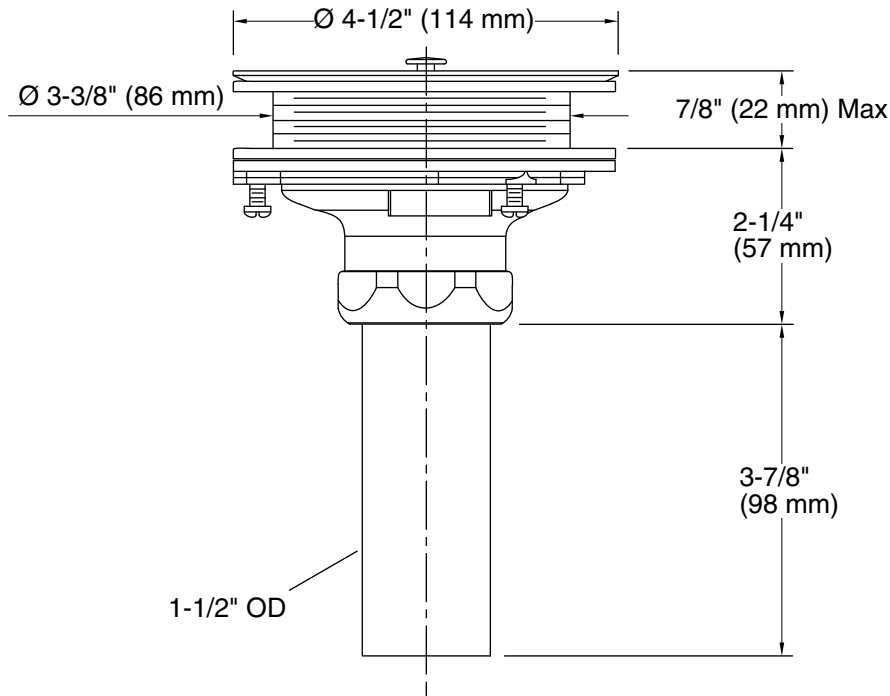
**KOHLER® One-Year Limited  
Warranty**

See website for detailed warranty information.

**Available Colors/Finishes**

*Color tiles intended for reference only.*

Color	Code	Description
	CP	Polished Chrome
	SN	Vibrant™ Polished Nickel
	PB	Vibrant™ Polished Brass
	G	Brushed Chrome
	BN	Vibrant™ Brushed Nickel
	VS	Vibrant™ Stainless
	BV	Vibrant™ Brushed Bronze
	2BZ	Oil-Rubbed Bronze
	BL	Matte Black



**Technical Information**

All product dimensions are nominal.

**Notes**

Install this product according to the installation guide.

SK-2

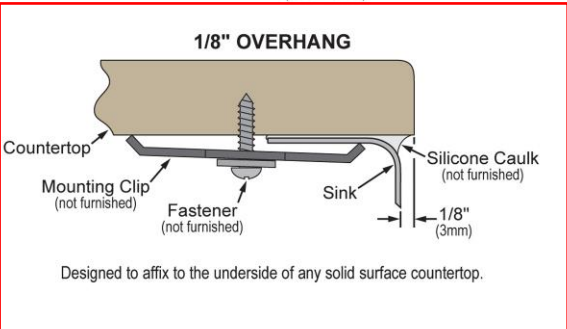
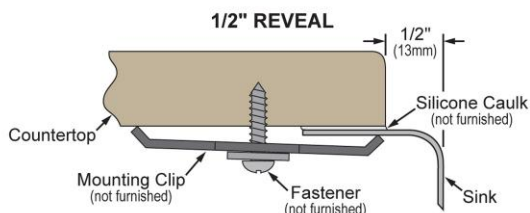
**PRODUCT SPECIFICATIONS**

Lustertone® Classic Stainless Steel 25-1/2" x 19-1/4" x 8" Single Bowl Undermount Sink. Sink is manufactured from 18 gauge 304 Stainless Steel with a Lustrous Satin finish, Rear Center drain placement, and Sides and Bottom pads.

<b>Installation Type:</b>	Undermount
<b>Material:</b>	304 Stainless Steel
<b>Finish:</b>	Lustrous Satin
<b>Gauge:</b>	18
<b>Sound Deadening:</b>	Sides and Bottom pads
<b>Number of Bowls:</b>	1
<b>Sink Dimensions:</b>	25-1/2" x 19-1/4" x 8"
<b>Bowl 1 Dimensions:</b>	23" x 16-3/4" x 8"
<b>Drain Size:</b>	3-1/2" (89mm)
<b>Drain Location:</b>	Rear Center
<b>Minimum Cabinet Size:</b>	30"
<b>Mounting Hardware:</b>	Undermount brackets sold separately
<b>Template Included:</b>	Yes
<b>Cutout Template #:</b>	<a href="#">1000001308</a>

Template is available for download at [elkay.com](http://elkay.com). CAD software will be required to open the template.

**Installation Profile:**



A Century of Tradition and Quality. For more than 100 years, Elkay has been making innovative products and providing exceptional customer care. We take pride in offering plumbing products that make life easier, inspire change and leave the world a better place.

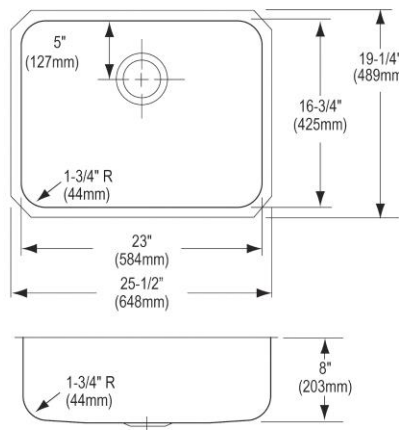


**Product Compliance:** ASME A112.19.3/CSA B45.4






Sinks are listed by IAPMO® as meeting the applicable requirements of the Uniform Plumbing Code®, International Plumbing Code®, and National Plumbing Code of Canada.

[Clean and Care Manual \(PDF\)](#)  
[Installation Instructions \(PDF\) - 1000005239](#)  
[Warranty \(PDF\)](#)



PART: \_\_\_\_\_ QTY: \_\_\_\_\_  
PROJECT: \_\_\_\_\_  
CONTACT: \_\_\_\_\_  
DATE: \_\_\_\_\_  
NOTES: \_\_\_\_\_  
APPROVAL: \_\_\_\_\_

In keeping with our policy of continuing product improvement, Elkay reserves the right to change product specifications without notice. Please visit [elkay.com](http://elkay.com) for the most current version of Elkay product specification sheets. This specification describes an Elkay product with design, quality, and functional benefits to the user. When making a comparison of other producers' offerings, be certain these features are not overlooked. Latest version of the spec sheet available: [https://www.elkayfiles.com/spec-sheets/ELUH2317\\_spec.pdf](https://www.elkayfiles.com/spec-sheets/ELUH2317_spec.pdf)

Optional Accessories		
<a href="#">LKWOBG2317SS</a>	Elkay Stainless Steel 22" x 15-3/4" x 1-1/8" Bottom Grid <a href="#">Spec Sheet (PDF)</a>	
<a href="#">LKCB2317HW</a>	Hardwood 17-5/8" x 12-1/4" x 1" Cutting Board <a href="#">Spec Sheet (PDF)</a>	
<a href="#">LK99</a>	Deluxe 3-1/2" Drain Type 304 Stainless Steel Body Strainer Basket Rubber Seal and Tailpiece <a href="#">Spec Sheet (PDF)</a>	

*In keeping with our policy of continuing product improvement, Elkay reserves the right to change product specifications without notice. Please visit [elkay.com](http://elkay.com) for the most current version of Elkay product specification sheets. This specification describes an Elkay product with design, quality, and functional benefits to the user. When making a comparison of other producers' offerings, be certain these features are not overlooked. Latest version of the spec sheet available: [https://www.elkayfiles.com/spec-sheets/ELUH2317\\_spec.pdf](https://www.elkayfiles.com/spec-sheets/ELUH2317_spec.pdf)*



**22-13 - Plumbing Fixtures-  
Kitchen Sink Faucet**

**MONTERREY™  
SINGLE CONTROL KITCHEN FAUCET  
WITH BRASS GOOSENECK SPOUT**

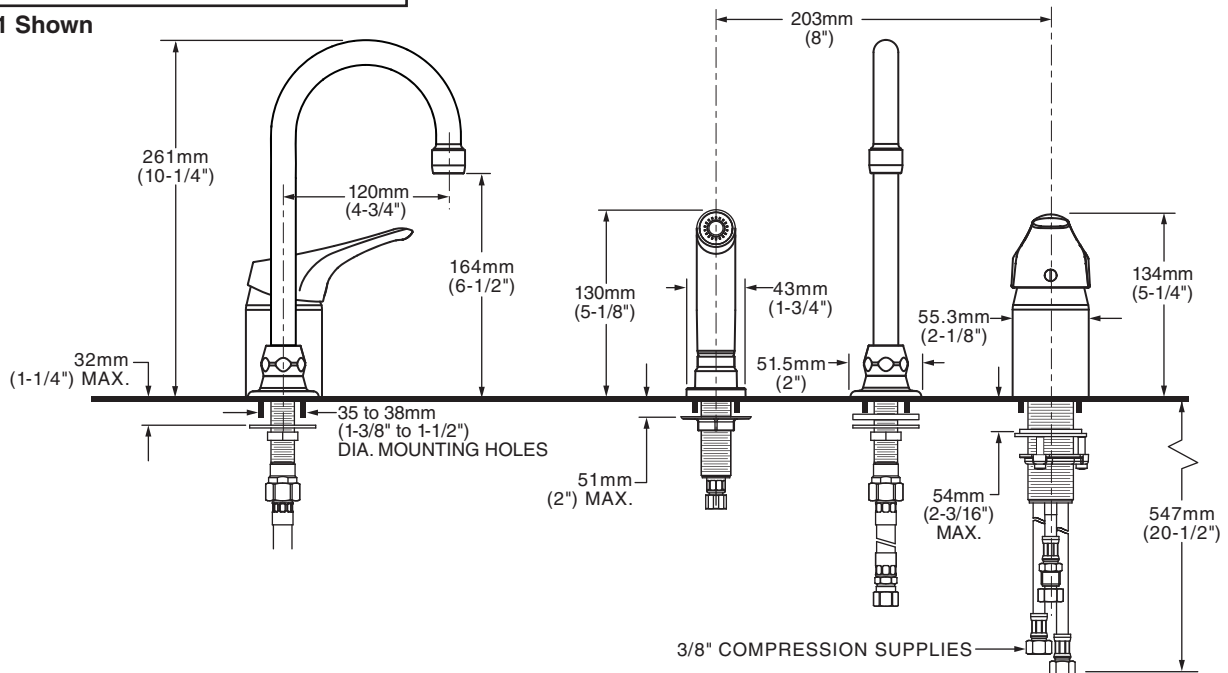


6114.301 Shown

**MODEL NUMBER:**

**SK-2**

- 6114.301 Single Control Faucet with Remote Valve**  
Field-convertible rigid / swivel gooseneck spout. Metal lever handle with red/blue index. 1.5 gpm pressure compensating aerator. With color matched spray.
- 6114.300 Single Control Faucet with Remote Valve**  
Field-convertible rigid / swivel gooseneck spout. Metal lever handle with red/blue index. 1.5 gpm pressure compensating aerator. Less spray.



**GENERAL DESCRIPTION:**

Durable cast brass construction. Field-convertible rigid-swivel gooseneck spout. Ceramic disc valve cartridge with integral hot limit safety stop. 20" long S.S. flex inlet hoses with 3/8" compression fittings. Metal lever handle with red/blue index. 1.5 gpm/5.7L/min. maximum flow rate.

**PRODUCT FEATURES:**

**Pressure Compensating Aerator:** Provides a constant water flow of 1.5 gpm throughout the pressure range.

**Solid Brass Construction:** Durable. Excellent in high use applications. Ideal for prolonged contact with water.

**Ceramic Disc Valve Cartridge:** Assures a lifetime of drip-free performance.

**Adjustable Hot Limit Safety Stop:** Limits the amount of hot water allowed to mix with cold. Reduces the risk of accidental scalding.

**Field-Convertible Rigid / Swivel Gooseneck Spout**

**Lead Free:** Faucet contains  $\leq 0.25\%$  total lead content by weighted average.

**SUGGESTED SPECIFICATION:**

Single control kitchen fitting shall feature a brass body with metal handle and brass field convertible rigid /swivel gooseneck spout. Shall also feature washerless ceramic disc valve cartridge with integral hot limit safety stop. Fitting shall be American Standard Model #6114.30\_.002.



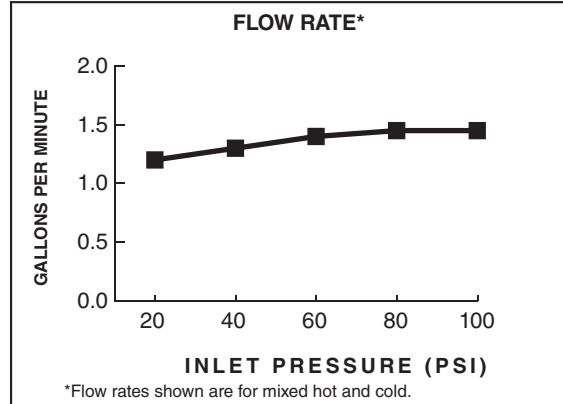


**MONTERREY™**  
**SINGLE CONTROL KITCHEN FAUCET**  
**WITH BRASS GOOSENECK SPOUT**

**CODES AND STANDARDS**

These products meet or exceed the following codes and standards:

- ASME A112.18.1**
- CSA B 125**
- NSF 61/Section 9, Annex G**
- CALGreen**



Product Number	Description	Finish
		Polished Chrome
		002
6114.301	Single Control Faucet with Remote Valve. Field-convertible rigid / swivel spout with 5" reach. 1.5 gpm pressure compensating aerator. With color matched spray.	
6114.300	Single Control Faucet with Remote Valve. Field-convertible rigid / swivel spout with 5" reach. 1.5 gpm pressure compensating aerator. Less spray.	

MEETS THE AMERICANS WITH DISABILITIES ACT GUIDELINES AND **ANSI A117.1** REQUIREMENTS FOR ACCESSIBLE AND USABLE BUILDING FACILITIES-CHECK LOCAL CODES

**Other Aerators Available:**

Part Suffix	Description
LV15	1.5 gpm (5.7 Lpm) Vandal-Resistant PCA Non-Aerated Laminar Flow Outlet
L15	1.5 gpm (5.7 Lpm) PCA Non-Aerated Laminar Flow Outlet
V15	1.5 gpm (5.7 Lpm) Vandal-Resistant PCA Aerator
LV10	1.0 gpm (3.8 Lpm) Vandal-Resistant PCA Non-Aerated Laminar Flow Outlet
L10	1.0 gpm (3.8 Lpm) PCA Non-Aerated Laminar Flow Outlet
V10	1.0 gpm (3.8 Lpm) Vandal-Resistant PCA Aerator
V05	0.5 gpm (1.9 Lpm) Vandal-Resistant PCA Non-Aerated Spray
V035	0.35 gpm (1.3 Lpm) Vandal-Resistant PCA Non-Aerated Spray

\*PCA - Pressure Compensating  
 All modifications meet CALGreen Code

**Features**

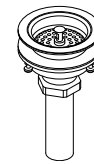
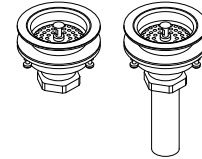
- Removable basket strainer with open/close stopper
- Tailpiece included
- Quick-locking installation system
- For sink installations with 3-1/2" (89 mm) or 4" (102 mm) outlet

**Material**

- Solid-brass construction for durability and reliability

**Recommended Products/Accessories**

- K-23726 Drain treatment
- K-23723 Faucet cleaner



**Codes/Standards**







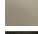
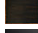

ASME A112.18.2/CSA B125.2

**KOHLER® One-Year Limited  
Warranty**

See website for detailed warranty information.

**Available Colors/Finishes**

*Color tiles intended for reference only.*

Color	Code	Description
	CP	Polished Chrome
	SN	Vibrant™ Polished Nickel
	PB	Vibrant™ Polished Brass
	G	Brushed Chrome
	BN	Vibrant™ Brushed Nickel
	VS	Vibrant™ Stainless
	BV	Vibrant™ Brushed Bronze
	2BZ	Oil-Rubbed Bronze
	BL	Matte Black